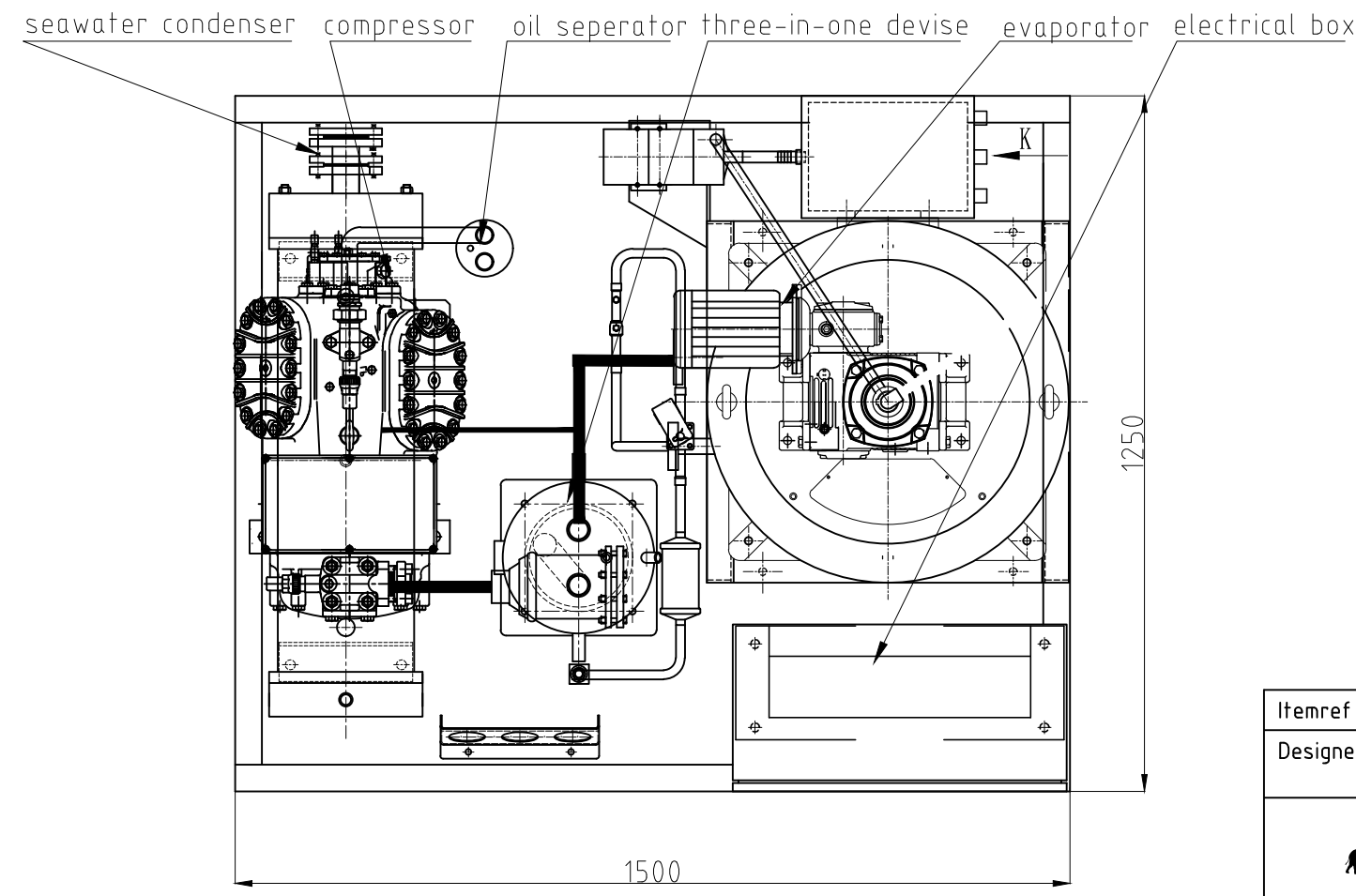


- Remarks:
- 1, The unit should be indoor, and make sure the ventilation is good;
 - 2, The condensing water pipeline, seawater circulation pump and fitting parts are supplied by customer
 - 3, There is more than 1m all around the unit for service space, the base is supplied by customer.
 - 4, The equipments should be connected with water pipeline and power supply according to our instructions,
 - 5, Unaccounted is according to our standard, and the others is subject to design.
 - 6, This drawing is only for your reference. The delivery range is subject to contract.



Technical parameter:

water inlet temp.	20°C
ambient temp.	33°C
wet bulb temp.	25°C
production capacity	3.0t/24hr
power supply	3P/380V/50HZ
refrigerant	R404A
installation power	about 15kW(exclude circulation pump)
water consumption	about 125L/h
exterior size	about 1500×1250×1436mm
running weight	about 1200kg

Itemref	Quantity	Title/Name, designation, material, dimension etc	Article No./Reference		
Designed by	Checked by	Approved by - date	Filename	Date	Scale
			3T SEAWATER VESSEL FLAKE ICE MACHINE		
			RECOM VF30	Edition	Sheet