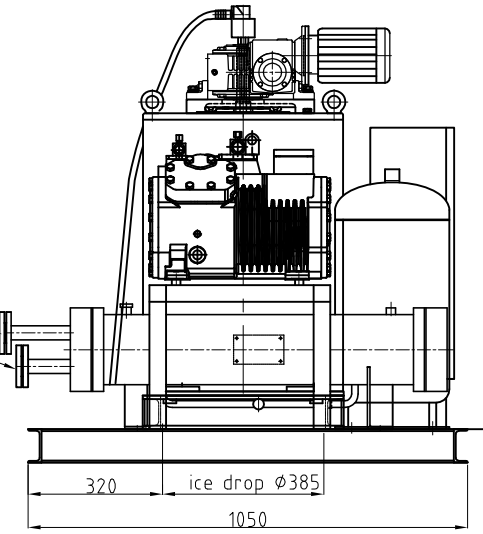


stainless steel housing

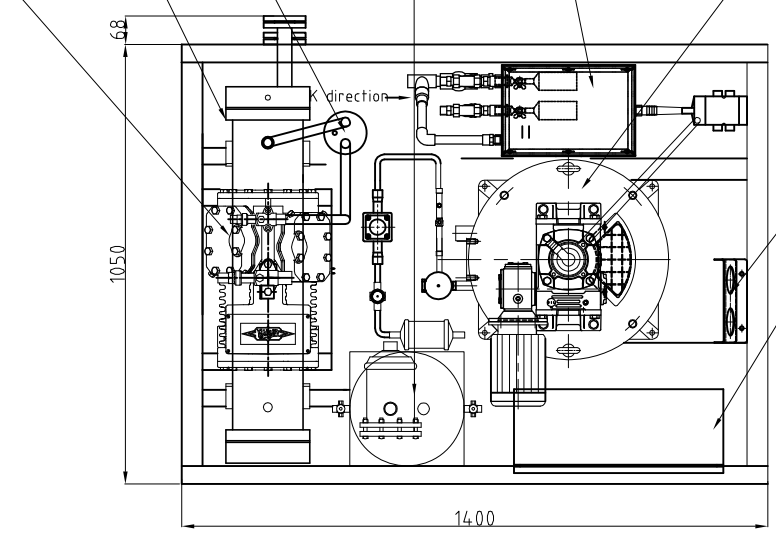
condenser water in&out DN32



NOTES:

1. the unit should be indoor, with more than 1m space around for service;
2. circulating pump for the condenser should be supplied by customer;
3. water inlet & outlet piping, electrical power source, refrigeration piping should connected to the appointed connectors;
4. the layout drawing is for reference only;
5. specific supply arrange is subject to contract.

compressor condenser oil separator 3-in-1 device water tank ice maker

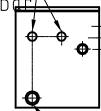


dial plate

electrical box

water inlet (1/2") pressure: 1~5bar

K direction



water outlet (3/4")

Technical Data:

| | |
|--------------------|------------------|
| water inlet temp. | 20°C |
| ambient temp. | 33°C |
| humidity | 28°C |
| refri. cap. | 5.84kW |
| production cap. | 1t/24hr |
| power supply | 415V/50Hz/3P |
| regrigerant | R404A |
| installation power | about 4.8kW |
| power consumption | about 4.32kW |
| water consumption | 42L/hr |
| exterior dimension | 1400×1100×1140mm |
| running weight | about 800kg |

| Itemref | Quantity | Title/Name, designation, material, dimension etc | Article No./Reference | | |
|---------------------------|------------|--|---------------------------------------|------------------|-------|
| Designed by LIUBINGYAN | Checked by | Approved by - date | File name | Date 10.12.25 | Scale |
| | | | 1T seawater onboard flake ice machine | | |
| | | | Edition | Sheet | |