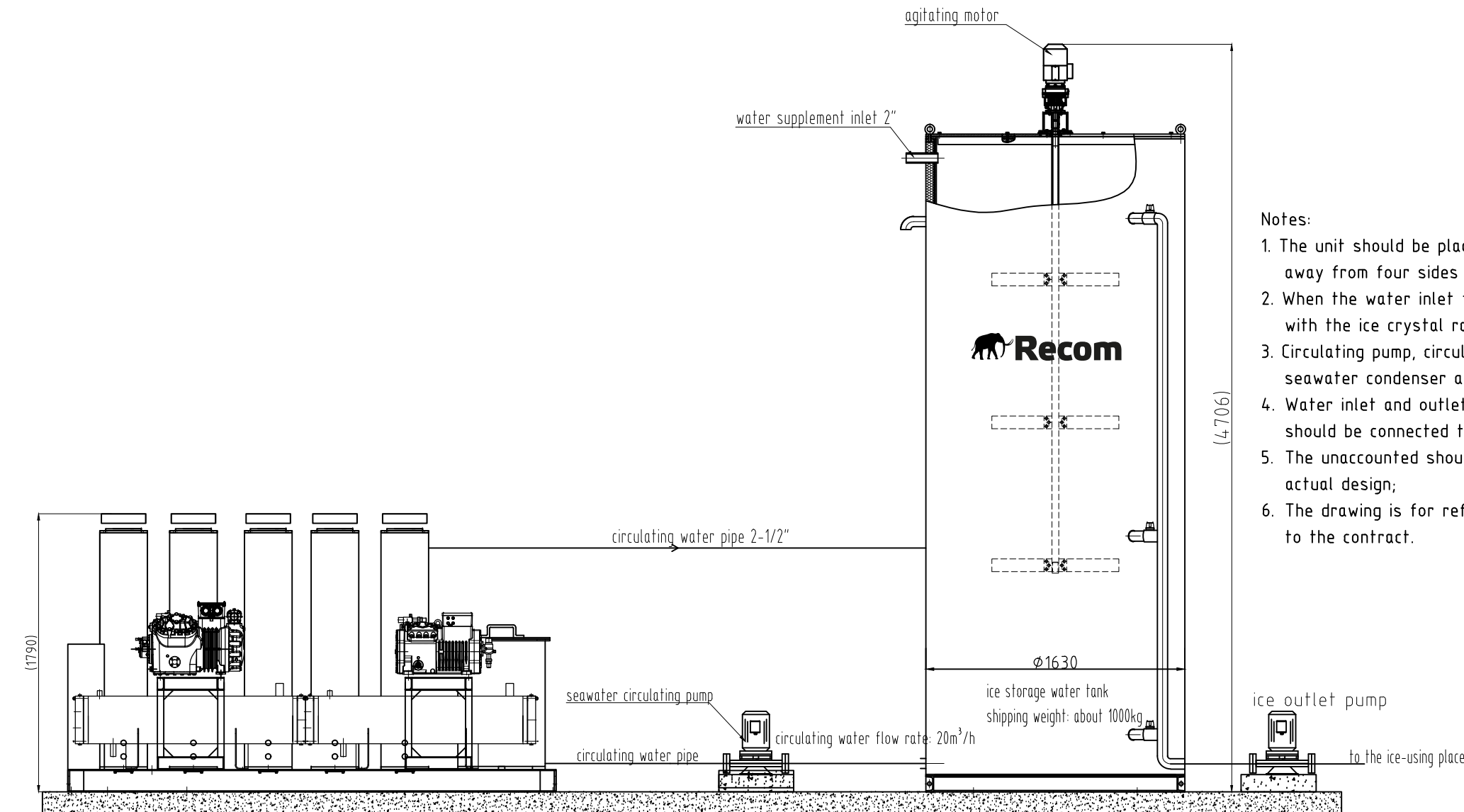


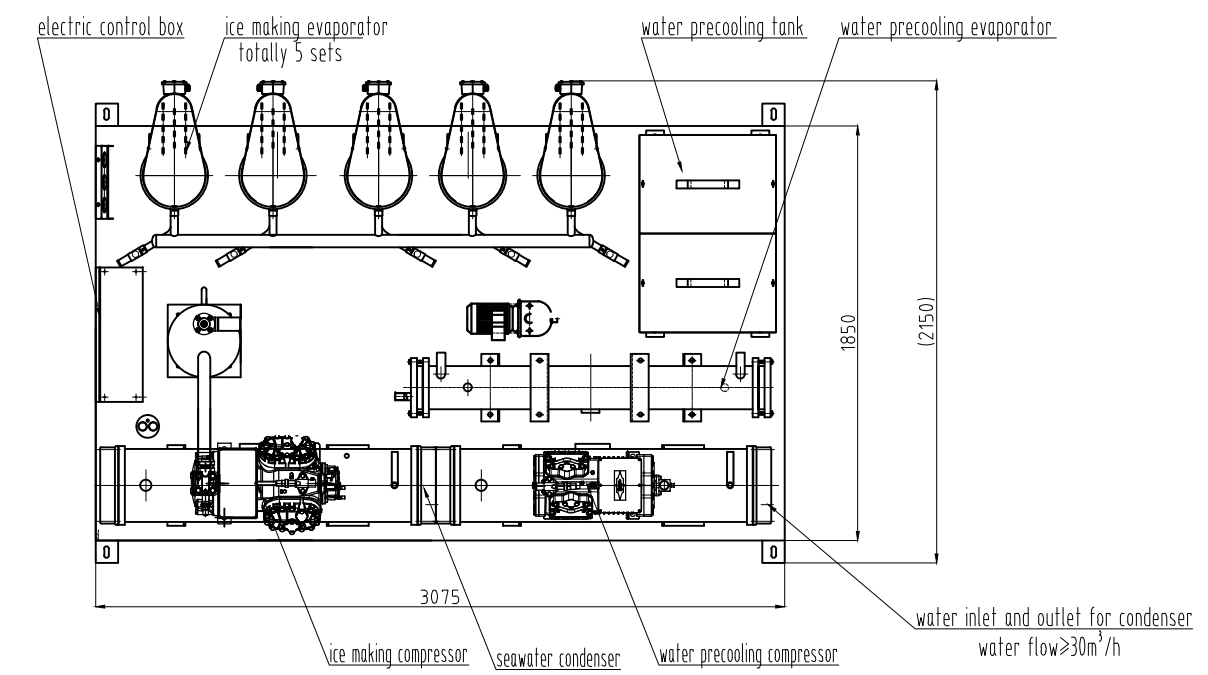
| RevNo | Revision note | Date | Signature | Checked |
|-------|---------------|------|-----------|---------|
|-------|---------------|------|-----------|---------|



- Notes:
1. The unit should be placed indoors and make sure that at least 1m away from four sides should be left as operation and maintenance space;
  2. When the water inlet temp. is 10°C, the largest ice output is 25t/24h with the ice crystal rate of 40%;
  3. Circulating pump, circulating waterway and ice outlet pump of the seawater condenser are to be provided by the client;
  4. Water inlet and outlet, power supply cables and refrigeration pipelines should be connected to the designated interfaces by customers on site;
  5. The unaccounted should be subject to our standards while other as per actual design;
  6. The drawing is for reference only and the supply range should be subject to the contract.

Technical parameter for water precooler:

|                    |              |
|--------------------|--------------|
| power supply       | 415V/50Hz/3P |
| refrigerant        | R404A        |
| installation power | about 9kW    |
| water inlet temp.  | 30°C         |
| water outlet temp. | <10°C        |



Technical parameter for ice making machine:

|                        |                                |
|------------------------|--------------------------------|
| water inlet temp.:     | 10°C                           |
| ambient temp.          | 33°C                           |
| largest ice output     | 25t/24hr(40% ice crystal rate) |
| power supply           | 415V/50Hz/3P                   |
| refrigerant            | R404A                          |
| installation power     | about 34kW                     |
| unit overall dimension | 3075x2150x1790                 |
| unit running weight    | about 4500kg                   |

| Itemref     | Quantity   | Title/Name, designation, material, dimension etc | Article No./Reference                |      |         |
|-------------|------------|--|--------------------------------------|------|---------|
| Designed by | Checked by | Approved by - date                               | File name                            | Date | Scale   |
|             |            | <b>Recom ICE SYSTEMS</b>                         |                                      |      |         |
|             |            |  | 25T SLURRY ICE MACHINE + MIXING TANK |      |         |
|             |            |  | RECOM SL250 + MIXING TANK            |      | Edition |
|             |            |  | Sheet                                |      |         |