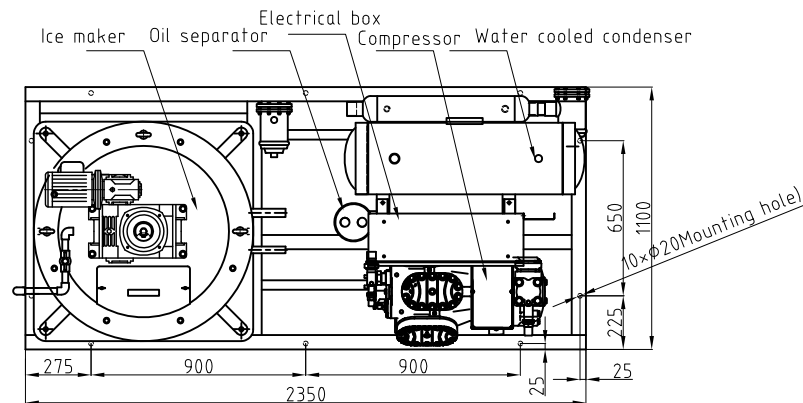
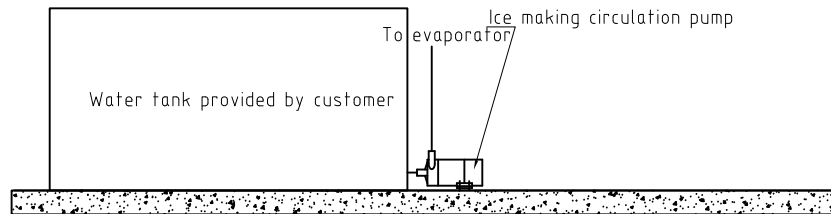


Remark:

1. The unit should be indoor, and make sure ventilation around;
2. Ahead of electrical box should have at least 1m space for operation;
3. Ice making process: pumping the water from water tank to ice maker, ice come out continuously when the water temperature drop until 0°C
4. There should be at least 1m space around the machine for service, foundation by client;
5. Water inlet&drain, master cable, and refrigeration pipe work should be connected to the appointed interfaces of our equipment at site;
6. Without specification, following our company rules;
7. This drawing is for reference only, the delivery range is subject to the contract.



Technical Data:

Water inlet temperature	16°C
Ambient temperature	33°C
Wet bulb temperature	25°C
Production capacity	15t/24hr(40%Condensate)
Power supply	3P/380V/50Hz
Refrigerant	R407F
Installation power	About19.2kW
Water consumption	0.625m ³ /hr
Unit dimension	About2350×1100×14.71mm
Unit running weight	About1.6t

Itemref	Quantity	Title/Name, designation, material, dimension etc			Article No./Reference	
Designed by LIUBINGYAN		Checked by	Approved by - date	Filename	Date 2015.05.04	Scale
				LAYOUT_DRAWING		
				SL150-W	Edition	Sheet