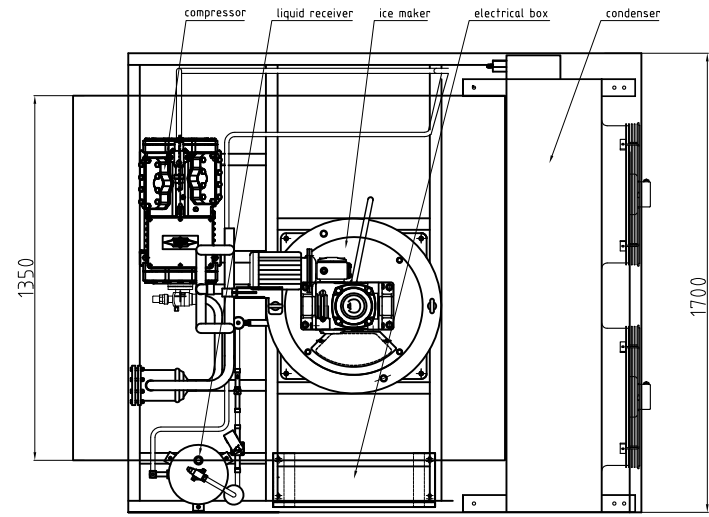


- Note:
1. The machine should be located indoor, and ensure ventilation room surrounding;
 2. Just before the electrical box, there should be at least 1 meter operation room.
 3. About 30 minutes after starting up, ice crystal rate 40% ice would be produced continuously.
 4. At least 1 meter service room surrounding the equipment. The foundation for the equipment should be prepared by the customer previously.
 5. All water and refrigeration pipelines, and electrical cables should be connected to RECOM designated ports by the customer on site.
 6. Unless special instruction, it shall follow RECOM standard equipment regulation.
 7. This drawing is for your reference only, which is subject to the Sales Contract.



Technical data

water-in temperature	20℃
ambient temperature	33℃
wet bulb temperature	25℃
ice making capacity	10t/24hr(40% ice)
power supply	3P/380V/50HZ
refrigerant	R507
installation power	about 12.5kW
water consumption	420L/h
outside dimension	1900×1700×1165mm
running weight	about 1500kg

Itemref	Quantity	Title/Name, designation, material, dimension etc	Article No./Reference		
Designed by	Checked by	Approved by - date	Filename	Date	Scale
			10T/day slurry ice machine layout		
			SL100A	Edition	Sheet