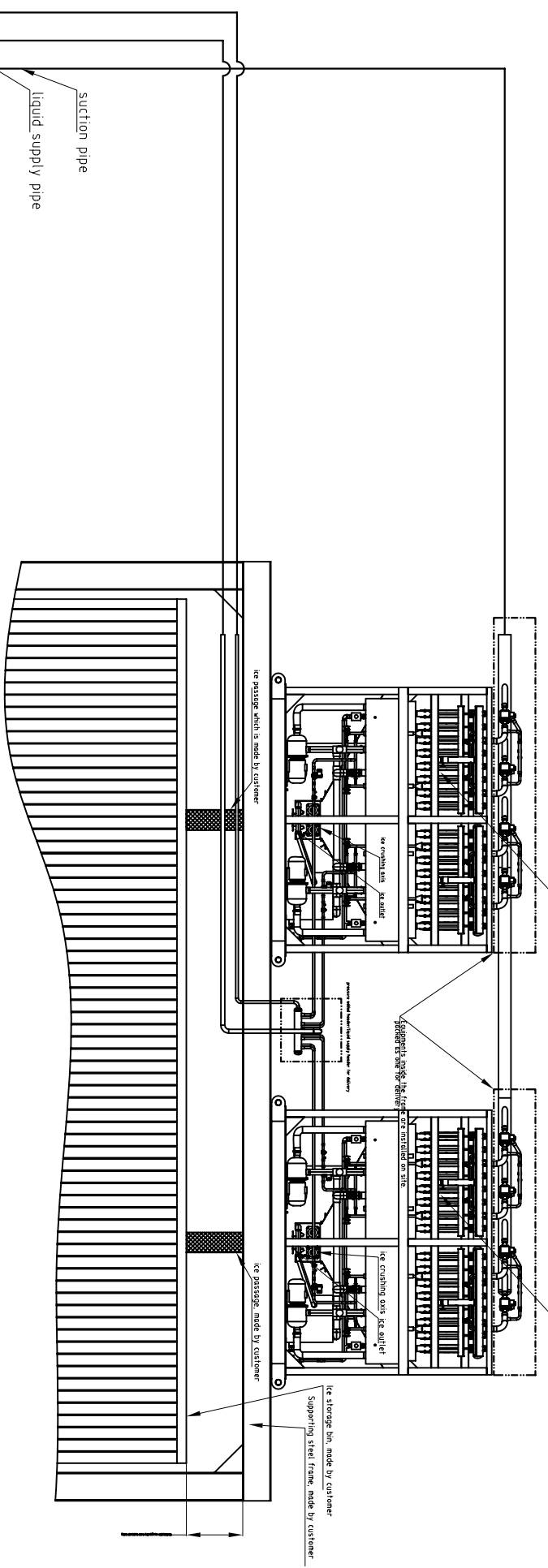
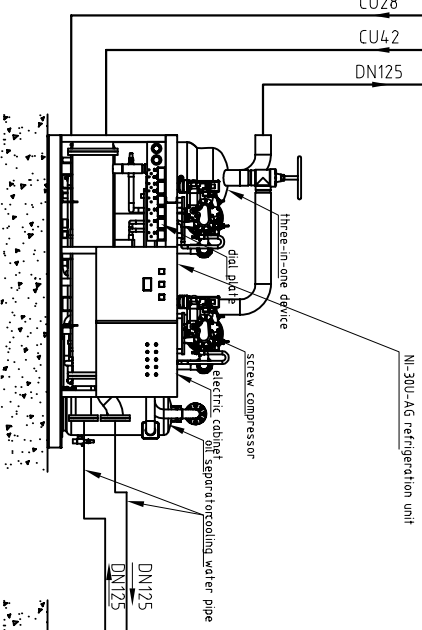


NI-5S-AG plate evaporator of plate ice machine
Plates: 32 pcs in 16pairs

NI-5S-AG plate evaporator of plate ice machine
Plates: 32 pcs in 16pairs



CU28
CU42
DN125



cooling water pump LSP-125
pump lifts 17m
waterflow rate: 1600L/min
dimension of connector: 5"
installation power: 1.5kW

cooling tower: LBCW-80
water processing capacity: 80ton/hr
dimension of connector: 5"
fan power: 2.2kW
out side dimension: φ305x2780mm

Attention:
Requirement: Customer's water supply pipe is DN50 and water pressure is 2~4bar.
Make ice outlet and ice passage according to size then, install plate ice machine.

Item#	Quantity	Title/Name, designation, material, dimension etc.	Article No./Reference
Designed by	Checked by	Approved by - date	File name
			Date
			Scale

RECDM ICE SYSTEMS

NI-30U-AG

NI-30U-AG

Edition Sheet