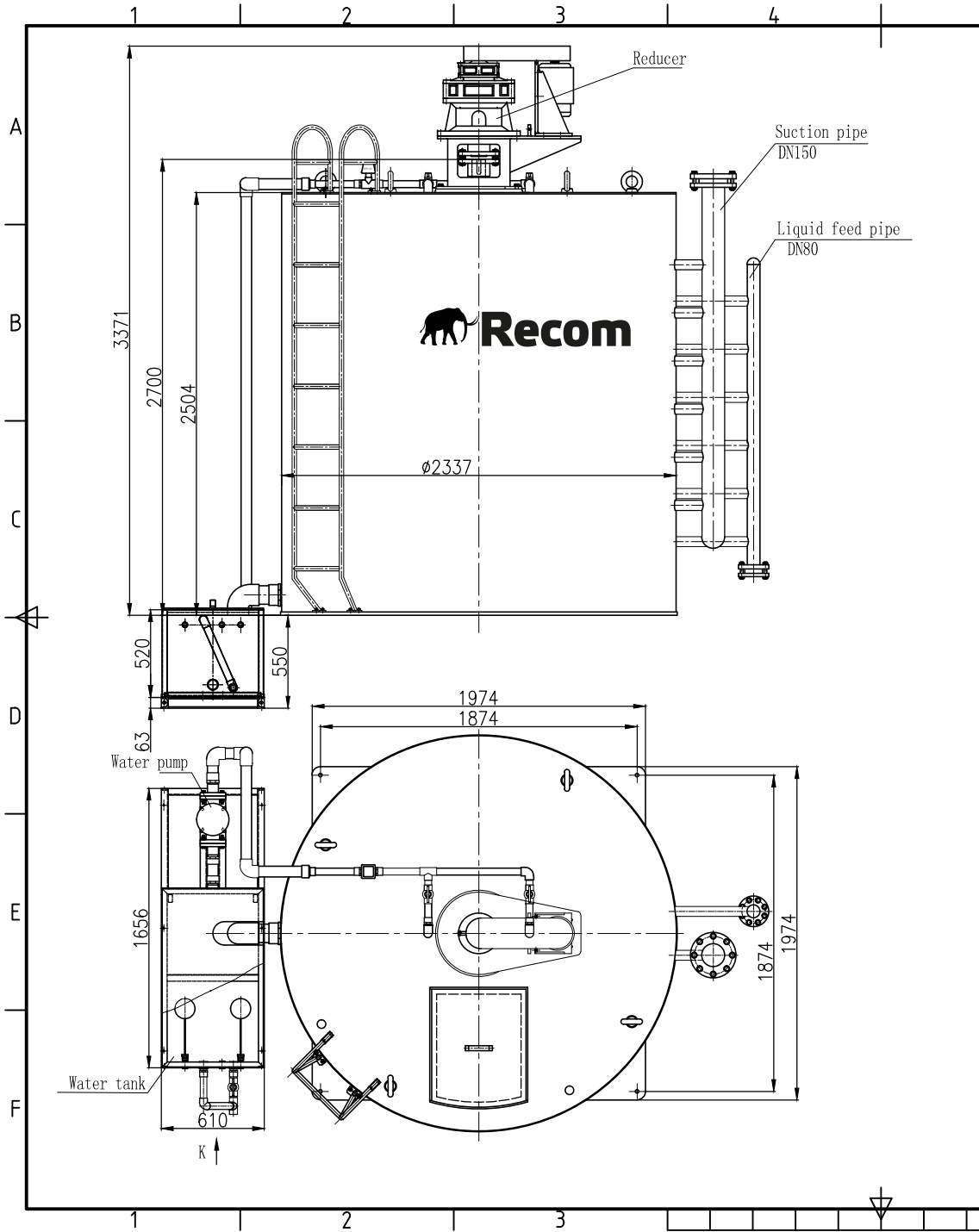


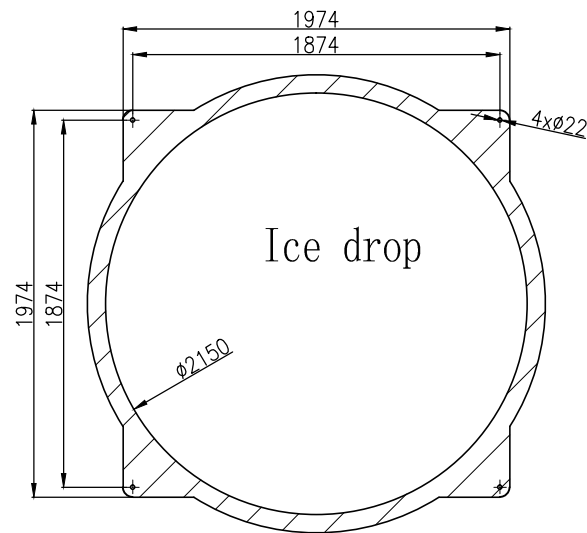
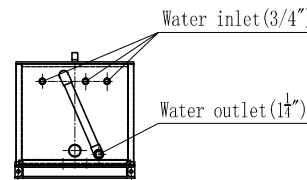
RevNo	Revision note	Date	Signature	Checked



Technical data

Standard operation conditions	water inlet temperature	20°c
	Ambient temperature	33°c
Evaporative temperature		-22°c
Required refrigeration capacity		189880kcal/h
Refrigerant		R717
Nominal ice making capacity		40T/24Hr
Power supply		3P/380V/50Hz
Reducer power(kW)		1.5
Water pump(kW)		0.75
Weight/set(kg)		5400
Outer diameter of liquid feed pipe		DN80
Outer diameter of suction pipe		DN150

Rotate to K direction



Itemref	Quantity	Title/Name, designation, material, dimension etc		Article No./Reference	
Designed by XXX	Checked by XXX	Approved by - date XXX - 00/00/00	File name XXX	Date	Scale 1:1
				40T/24Hr Flake Ice Evaporator Layout	
				FD400	Edition 0