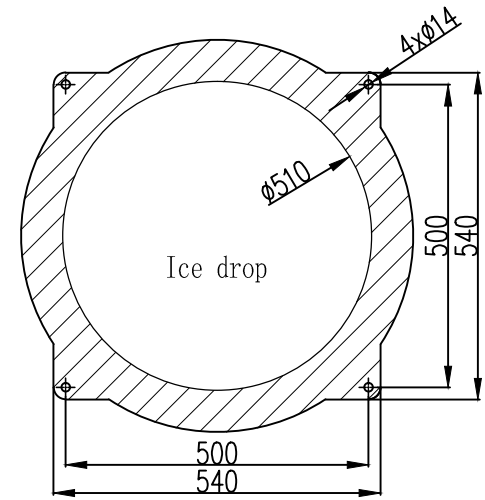
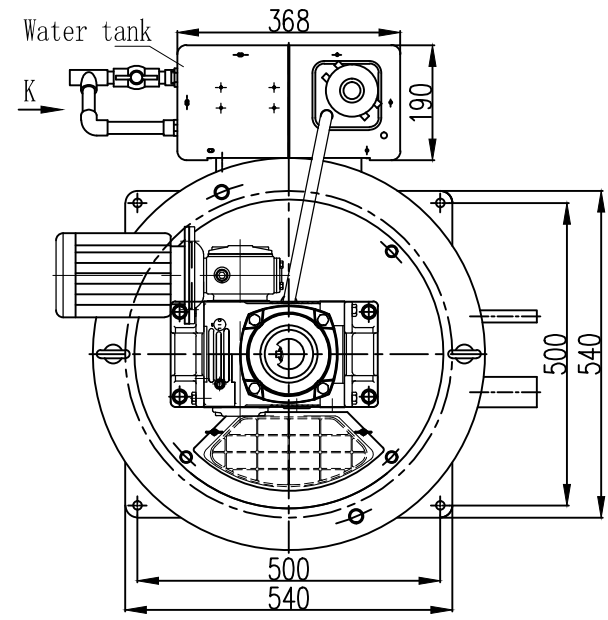
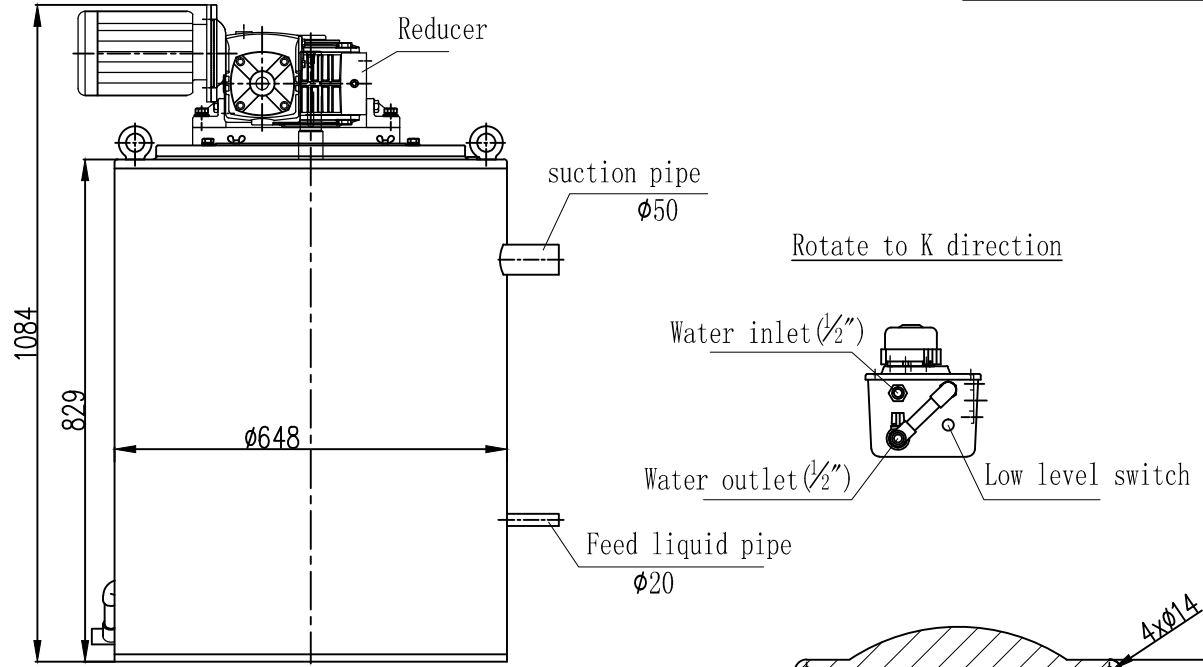


Technical data

Standard operation conditions	water inlet temperature	20°C
	Ambient temperature	33°C
Evaporative temperature		-22°C
Required refrigeration capacity		18988KCal/h
Refrigeration		R717
Capacity		4T/24H
Voltage		3P/380V/50Hz
Reducer power(KW)		0.37
Water pump(KW)		0.025
Weight/set (Kg)		240
Outer diameter of feed liquid pipe		DN20
Outer diameter of suction pipe		DN50



Itemref	Quantity	Title/Name, designation, material, dimension etc			Article No./Reference	
Designed by XXX	Checked by XXX	Approved by - date XXX - 00/00/00	File name XXX	Date	Scale 1:1	
4T FLAKE ICE EVAPORATOR DRAWING				X	Edition 0	Sheet 1/1