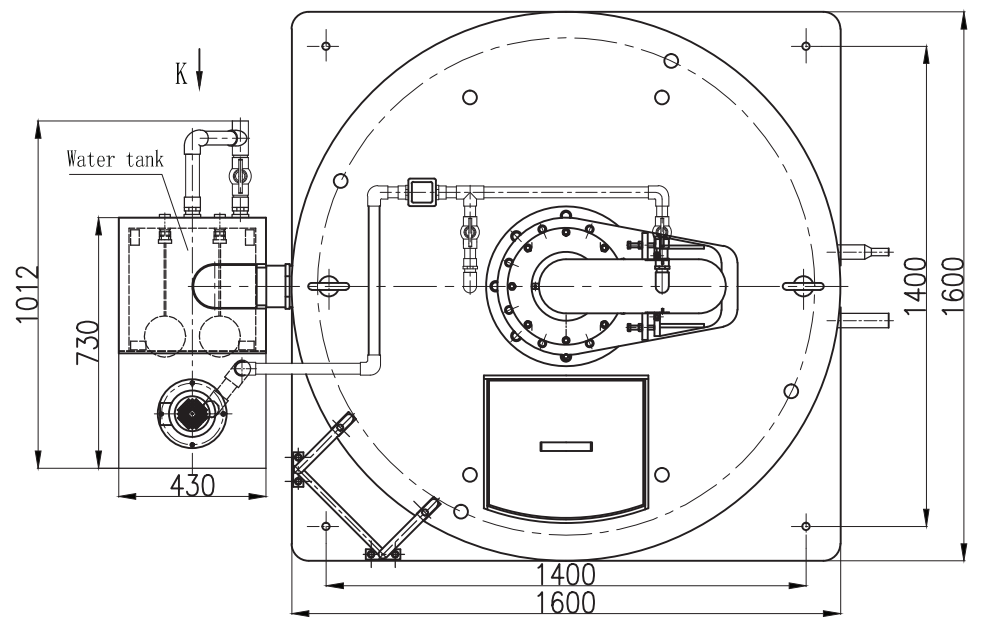
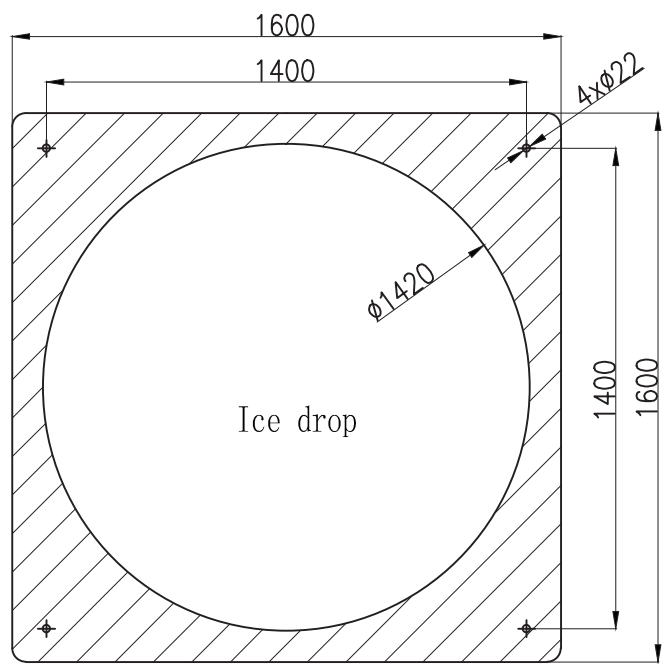
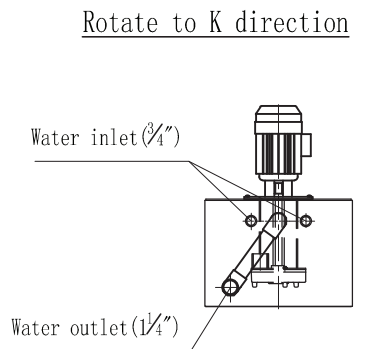
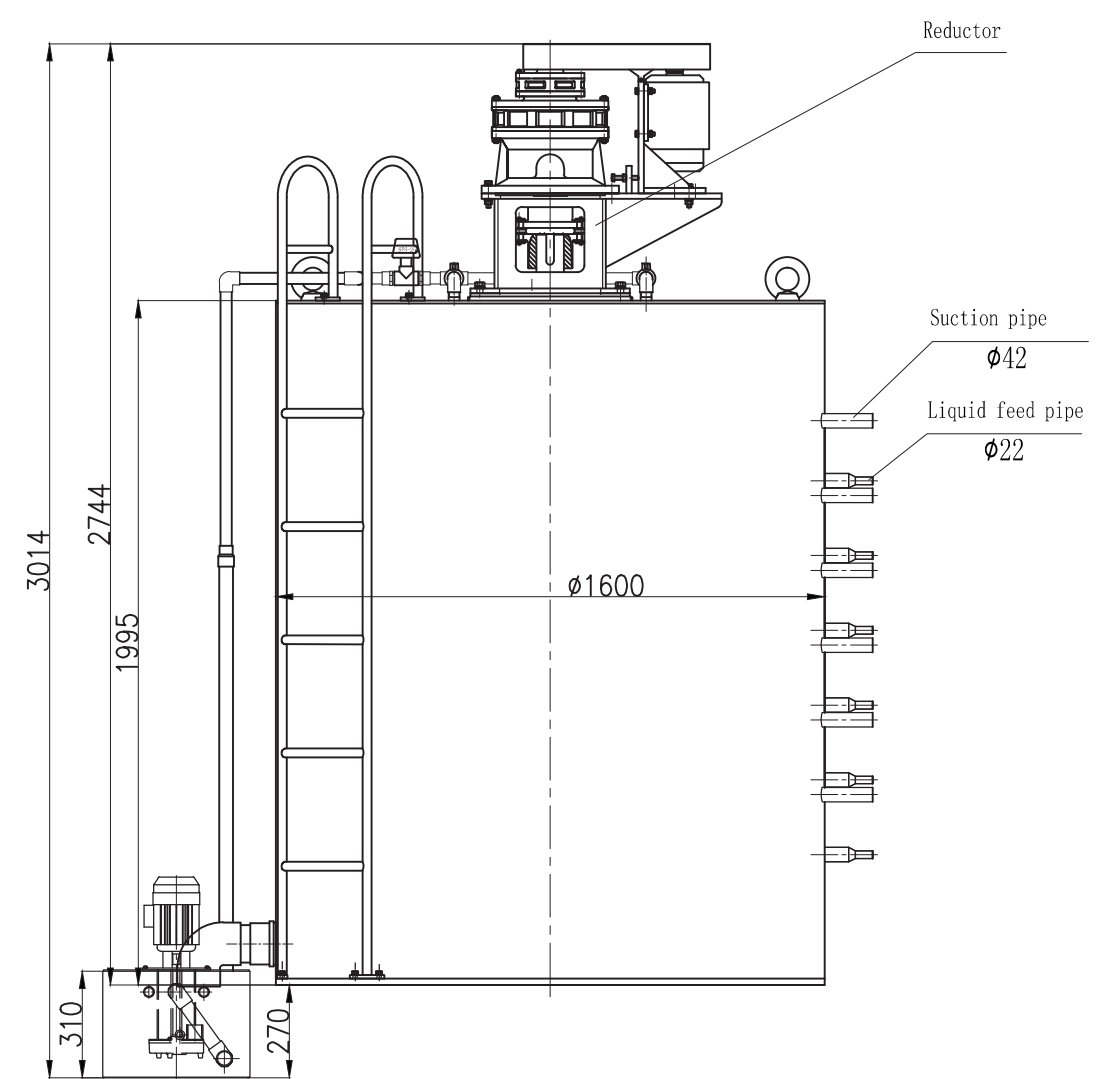


### Technical data

Standard operation conditions	water inlet temperature	20°C
	Ambient temperature	33°C
Evaporative temperature		-22°C
Required refrigeration capacity		94940Kcal/h
Refrigeration		R507
Capacity		20T/24H
Voltage		3P/380V/50Hz
Reductor power(KW)		1.1
Water pump(KW)		0.4
Weight/set(Kg)		2634
Outer diameter of liquid feed pipe		cu22x6
Outer diameter of suction pipe		cu42x6



Itemref	Quantity	Title/Name, designation, material, dimension etc			Article No./Reference	
Designed by XXX	Checked by XXX	Approved by - date XXX - 00/00/00	File name XXX	Date	Scale 1:1	
				20T/day flake ice evaporator drawing		
				FD200	Edition 0	Sheet 1/1