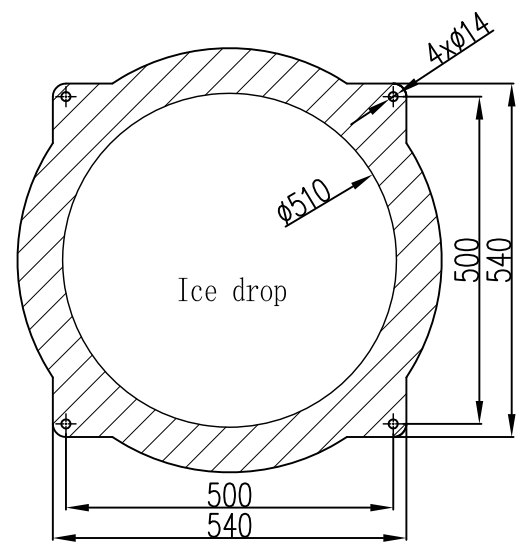
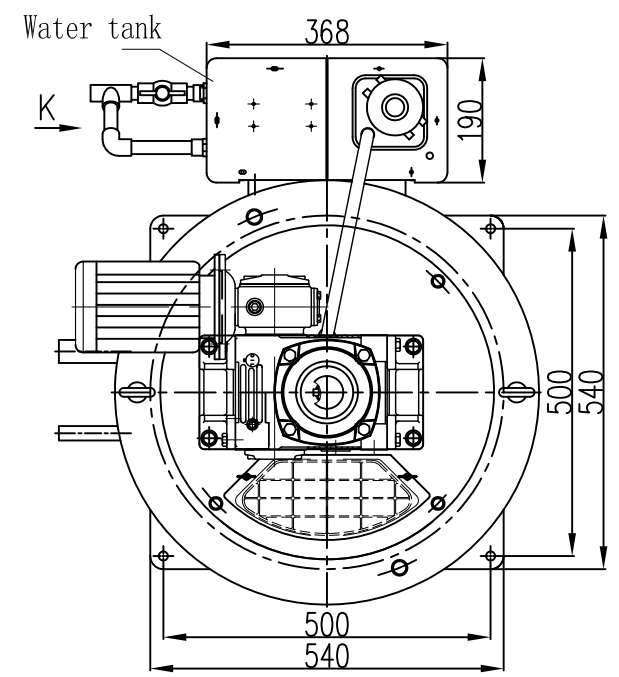
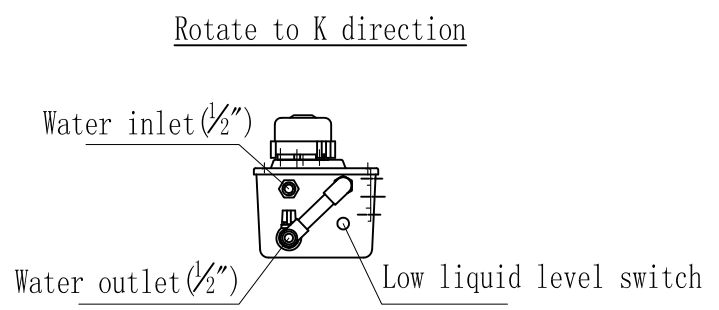


### Technical data

Standard operation conditions	water inlet temperature	16?
	Ambient temperature	25?
Evaporative temperature		-22?
Required refrigeration capacity		9494KCal/h
Refrigeration		R22/R404A
Capacity		2T/24H
Voltage		3P/380V/50Hz
Reductor power (KW)		0.37
Water pump (KW)		0.025
Weight/set (Kg)		220
Outer diameter of liquid feed pipe		DN15
Outer diameter of suction pipe		DN25



Itemref	Quantity	Title/Name, designation, material, dimension etc			Article No./Reference	
Designed by XXX	Checked by XXX	Approved by - date XXX - 00/00/00	File name XXX	Date	Scale 1:1	
				2T/day flake ice evaporator		
				X	Edition 0	Sheet 1/1