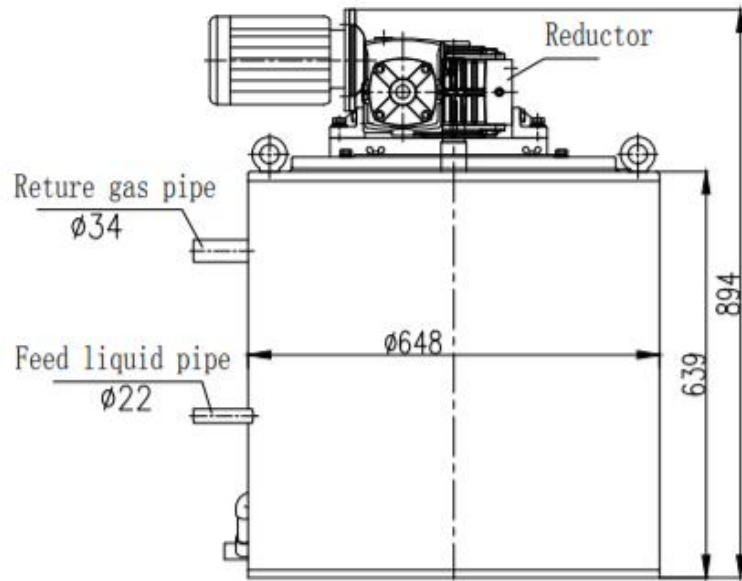
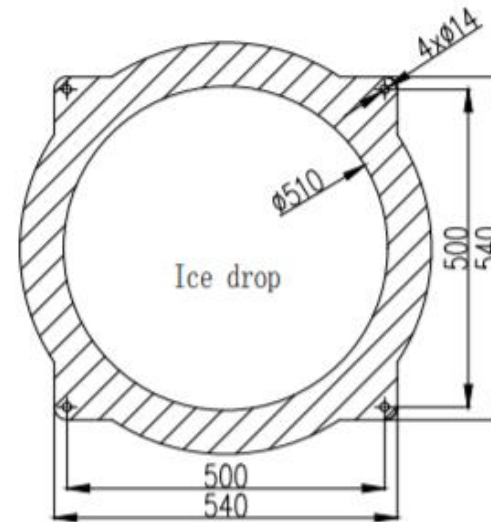
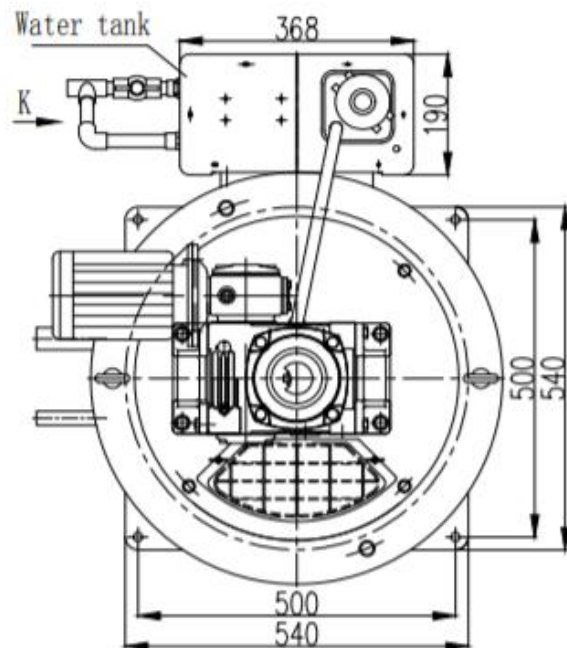
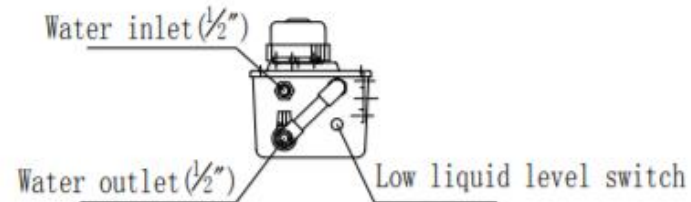


Technical data

Standard operation conditions	water inlet temperature	16°c
	Ambient temperature	25°c
Evaporative temperature		-22°c
Required refrigeration capacity		7595Kcal/h
Refrigeration		R22/R404A
Capacity		1.6T/24H
Voltage		3P/380V/50Hz
Reductor power(KW)		0.37
Water pump (KW)		0.025
Weight/set (Kg)		208
Outer diameter of feed liquid pipe		DN15
Outer diameter of return gas pipe		DN25



Rotate to K direction



Item ref	Quantity	Title/Name, designation, material, dimension etc	Article No./Reference		
Designed by	Checked by	Approved by - date	Filename	Date	Scale
				1.6T DRAWING	
				Edtion	Sheet
				1/7	