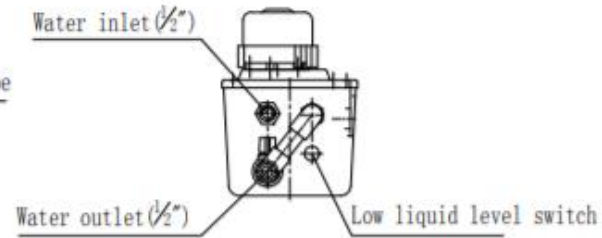
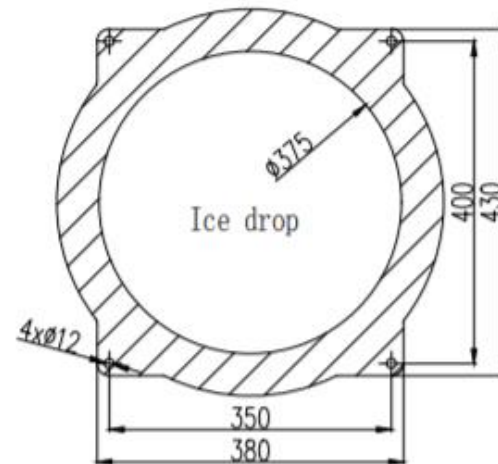
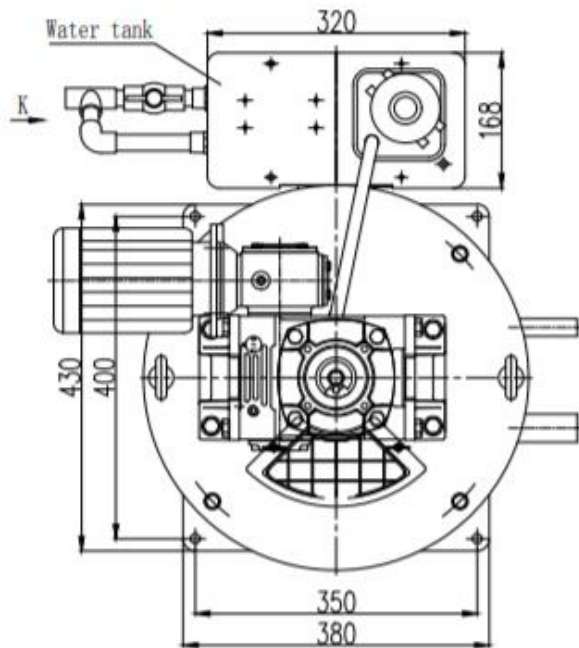


Rotate to K direction



### Technical data

Standard operation conditions	water inlet temperature	16°C
	Ambient temperature	25°C
Evaporative temperature		-22°C
Required refrigeration capacity		4747Kcal/h
Refrigeration		R22(R404a)
Capacity		1.0T/24H
Voltage		3P/380V/50Hz
Reductor power(KW)		0.18
Water pump(KW)		0.014
Weight/set(Kg)		108
Outer diameter of feed liquid pipe		DN15
Outer diameter of return gas pipe		DN20



Item#	Quantity	Title/Name, designation, material, dimension etc	Article No./Reference		
Designed by	Checked by	Approved by - date	Filename	Date	Scale
			1T DRAWING		
			Edition	Sheet	1/1