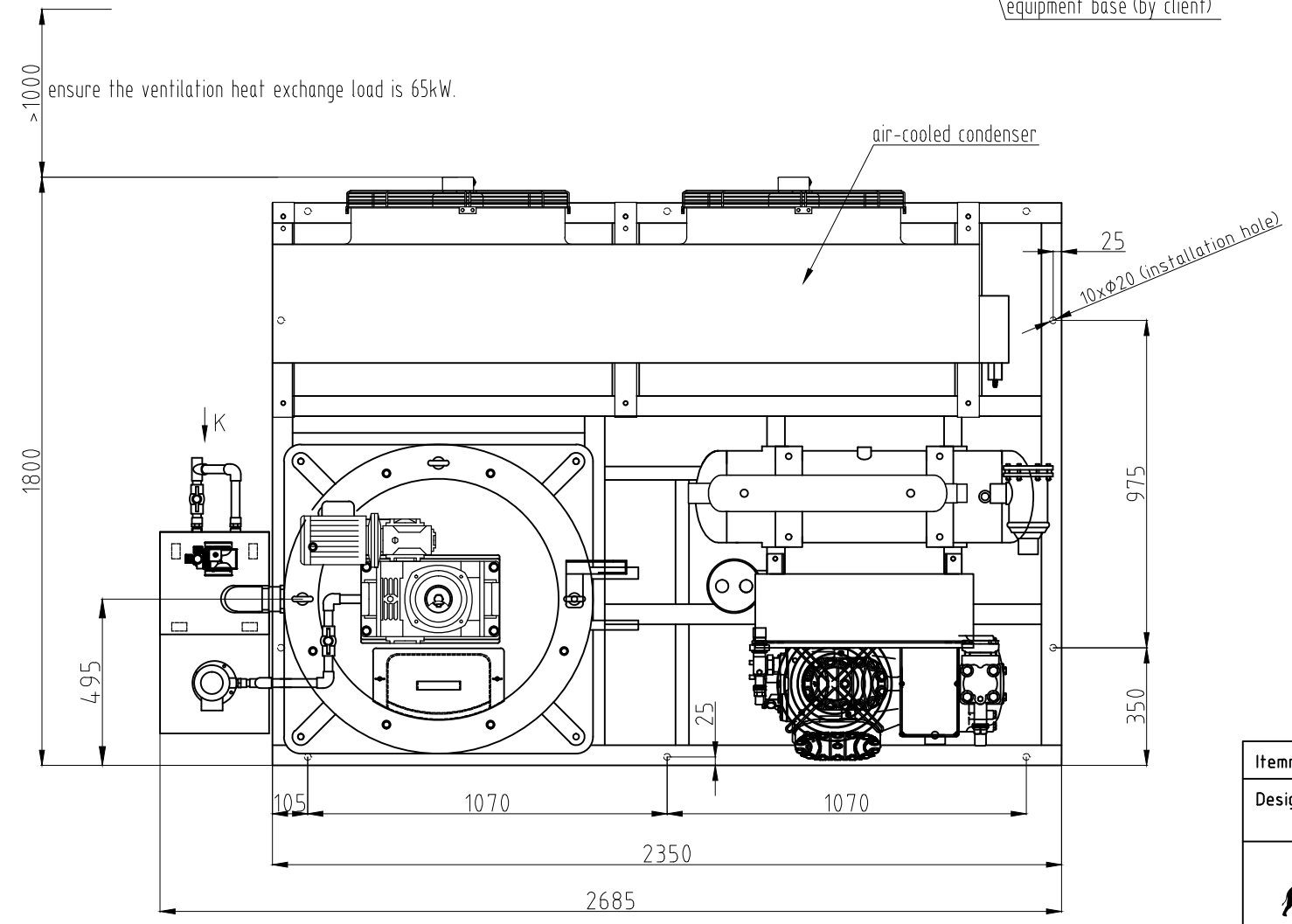


Notes:

1. Ice maker unit should be placed indoors with thorough ventilation on four sides;
2. At least 1 meter away from the four sides is required for operation and maintenance space and the user should be responsible for the unit's base;
3. Water inlet and outlet, power supply cables and refrigeration pipelines should be connected to the designated interfaces by customers on site;
4. The unaccounted should be subject to our standards while others as per actual design;
5. The drawing is for reference only and the supply range should be subject to the contract;
6. The position and size of the installation hole is only for reference and should be subject to actual design.



Technical parameter:

| | |
|-----------------------------|------------------------|
| water inlet temp. | 16 °C |
| ambient temp. | 32 °C |
| wet bulb temp. | 25 °C |
| nominal ice output | 5t/24hr |
| power supply | 3P/380V/50Hz |
| refrigerant | R404A |
| installation power | about 30kW |
| ice maker water consumption | 0.21m ³ /hr |
| unit overall dimension | about 2685x1800x1471mm |
| unit running weight | about 1.8t |

| Itemref | Quantity | Title/Name, designation, material, dimension etc | | | Article No./Reference | |
|-------------|------------|--|----------------------|---------|-----------------------|--|
| Designed by | Checked by | Approved by - date | File name | Date | Scale | |
| | | | 5T FLAKE ICE MACHINE | | | |
| | | | RECOM F50AS-5 | Edition | Sheet | |