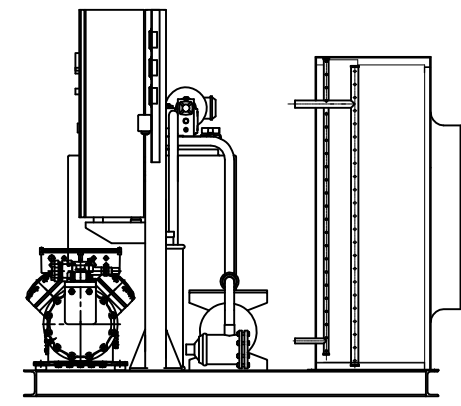


A direction ←



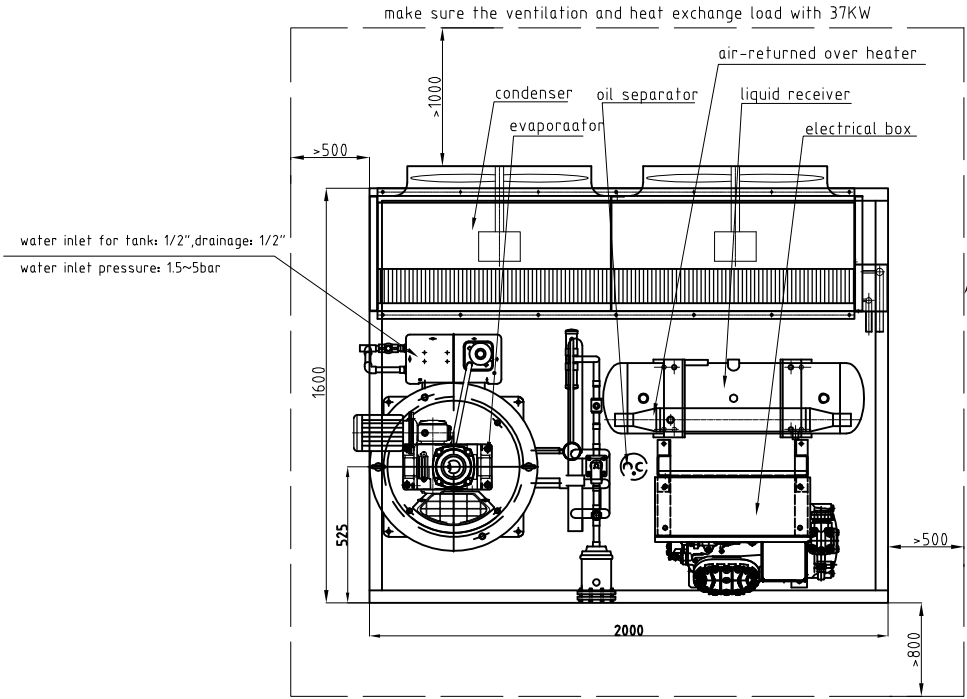
A direction

Remarks:

- 1, The unit should be indoor
- 2, The equipment should be connected with water pipe, power supply, refrigeration pipeline, according to our instructions;
- 3, This drawing is only for your reference, detailed information is subject to design;
- 4, The delivery range is subject to contract;

Technical parameter:

water inlet temp	16 °C
ambient temp.	32 °C
refrigeration capacity	16.96kW
production capacity	3T/24Hr
power supply	400V/50Hz/3P
refrigerant	R404A
installation power	19kW
power consumption	17.5kW
water consumption	0.125T/Hr
exterior dimension	2000×1600×1490
running weight	about 11T



Itemref	Quantity	Title/Name, designation, material, dimension etc			Article No./Reference	
Designed by		Checked by	Approved by - date	File name	Date	Scale
				3T FLAKE ICE MACHINE		
				RECOM F30AS-5		Edition