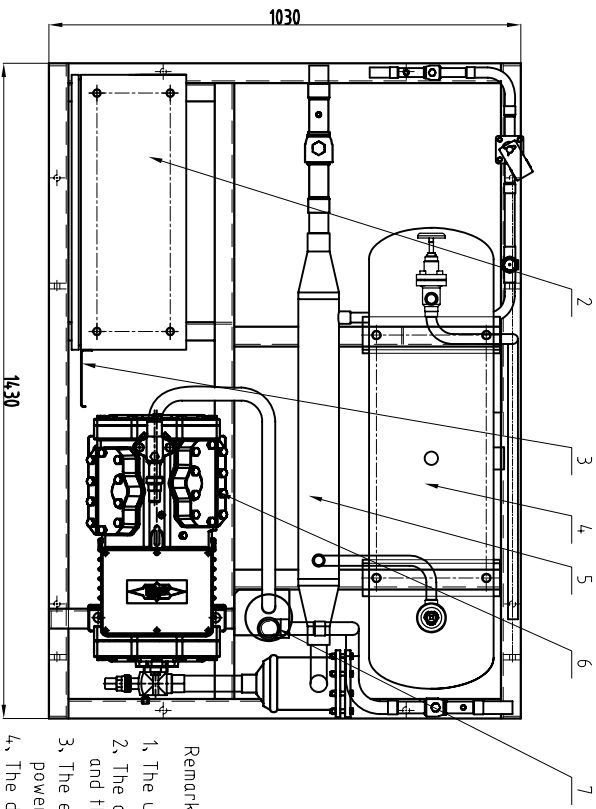
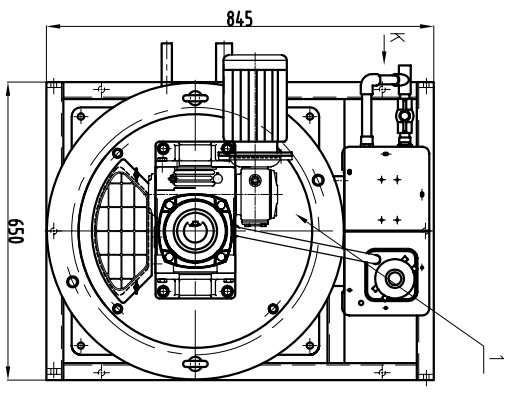


Technical parameter:

water inlet temp.	16°C
ambient temp.	25°C
wet bulb temp.	20°C
refrigeration capacity	13.31kw
product capacity	2.5T/24Hr
power supply	380V/50Hz/3P
refrigerant	R404A
installed power	about 7.8kw
water consumption	about 7.7kw
net weight	about 1.0T

Remark:

1. The unit should be indoors;
2. The condenser should be 1m higher than the unit; and the distance of them should be less than 10m.
3. The equipments should be connected with water inlet and outlet, power supply and refrigeration pipeline according to our instruction.
4. The distance between evaporator and unit should be less than 10m;



7	oil separator	AW55889	1	set	ALCO	
6	compressor	4.TCS-8.2Y	1	set	Bitzer	
5	air-returned over	F25AF-E01	1	pc	Snowkey	
4	liquid receiver	CR04.0	1	set	Taiyi	
3	dial plate	F25AF-01.02	1	pc		
2	electric box	F25AF-E	1	set	Snowkey	
1	evaporator	F25SF	1	set	Snowkey	
NO	Descriptions	Model	Qty	Unit	Remarks	

Issued		Title/Name, designation, material, dimension etc		Article No./Reference	
Designed by	Checked by	Approved by - date	File name	Date	Scale
VAZDOBICKER				05/10/23	
RECON ICE SYSTEMS			F25AF		
HOLLAND			Edition		
			Sheet		