

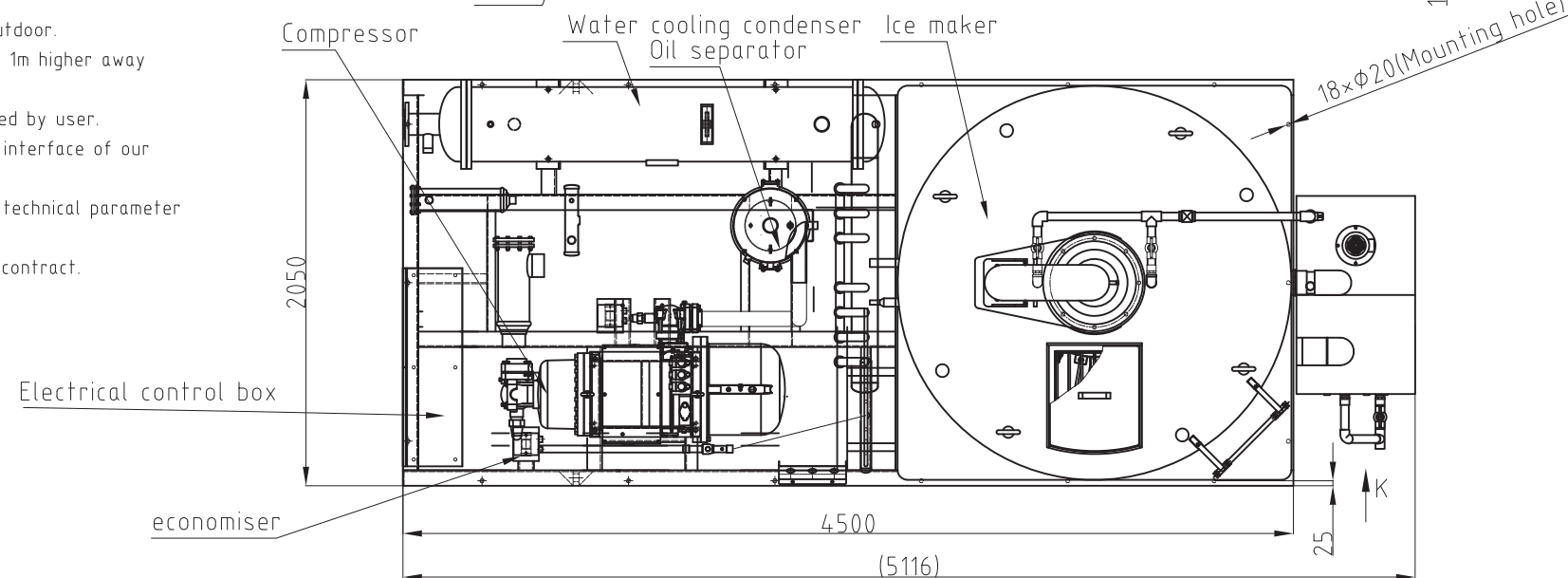
Note:

1. Compressor unit and ice maker are placed indoor, cooling tower outdoor.
2. Cooling tower installation-less than 10m away from unit, more than 1m higher away from unit.
3. Reserve more than 1m for service space, equipment base is provided by user.
4. Water pipes, cables and refrigeration pipe are connect to specific interface of our equipment.
5. Unless special introduction, according to Snowkey standard, other technical parameter is subject to actual situation.
6. The drawing layout is only for reference, equipment is subject to contract.

Technical parameter:

|                          |                       |
|--------------------------|-----------------------|
| water in temp:           | 20°C                  |
| ambient temp.:           | 33°C                  |
| wet bulb temp.:          | 25°C                  |
| nominal production:      | 25t/24hr              |
| power supply:            | 3P/380V/50Hz          |
| refrigerant:             | R22/R507A             |
| installation power:      | about102kW            |
| water consumption:       | 1.05m³/hr             |
| Unit external dimension: | about5116x2050x3137mm |
| Unit running weight:     | about7.5t             |

Note: When the refrigerant is R507A,do not use additional fan.



| Itemref | Quantity | Title/Name, designation, material, dimension etc |                    |          | Article No./Reference |
|---------|----------|--|--------------------|----------|-----------------------|
|         |          | Checked by                                       | Approved by - date | Filename | Date<br>2017.05.20    |
|         |          |  |                    |          | F250WT-6              |
|         |          |  |                    |          | Edition               |