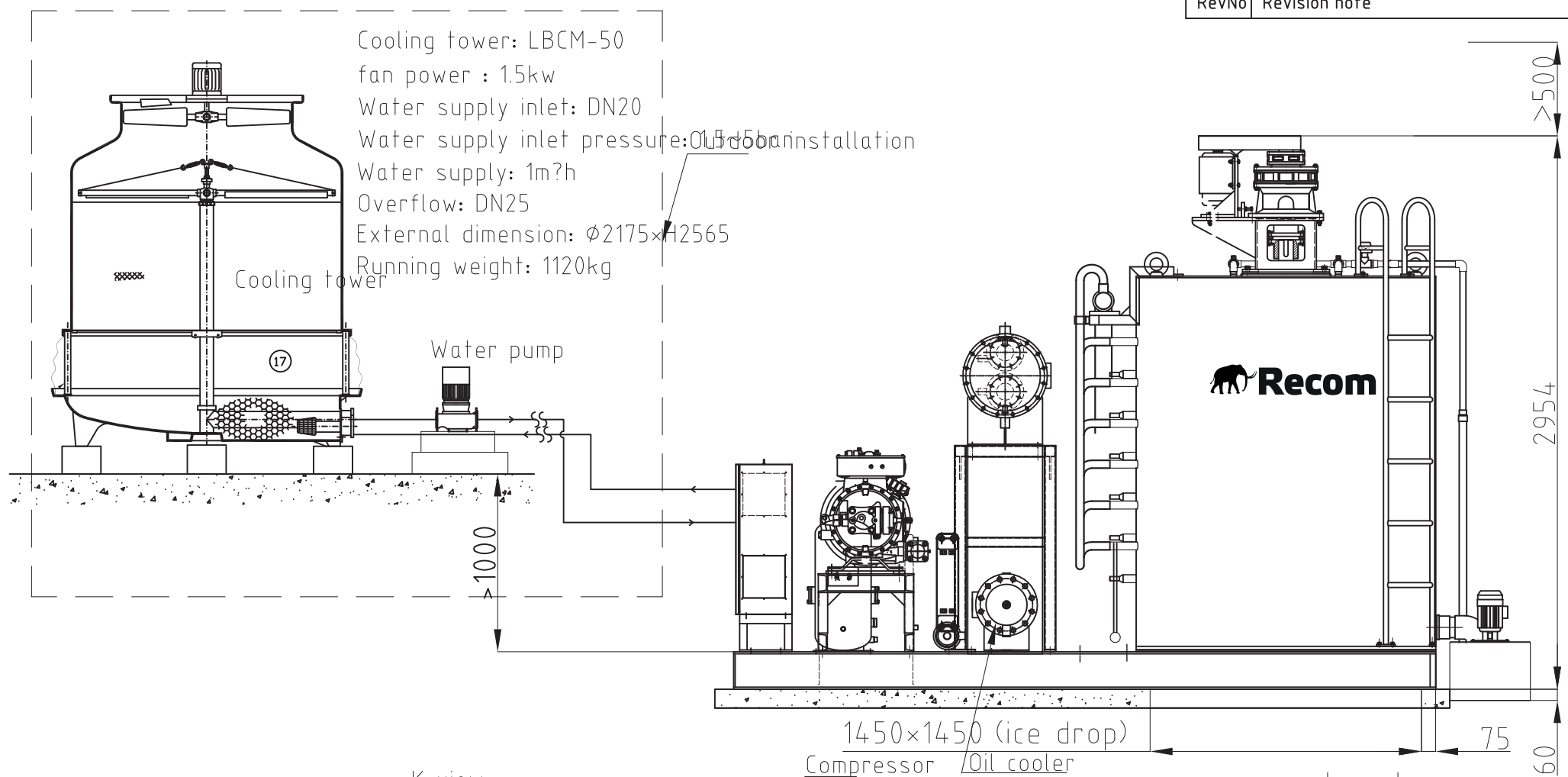
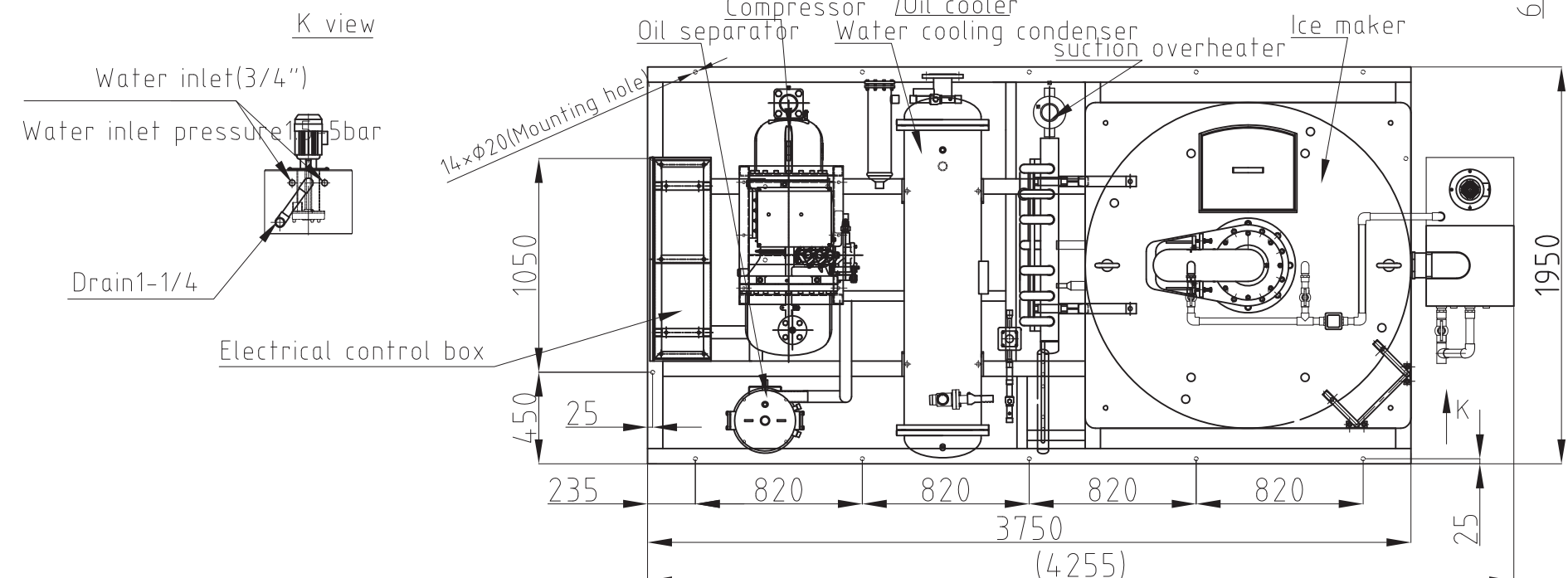


RevNo	Revision note	Date	Signature	Checked
-------	---------------	------	-----------	---------



Cooling tower: LBCM-50  
 fan power : 1.5kw  
 Water supply inlet: DN20  
 Water supply inlet pressure: 0.5-1.5bar installation  
 Water supply: 1m³/h  
 Overflow: DN25  
 External dimension: Ø2175×H2565  
 Running weight: 1120kg

- Note:
1. Compressor unit and ice maker are placed indoor, cooling tower outdoor.
  2. Cooling tower installation: less than 10m away from unit, more than 1m higher away from unit.
  3. Reserve more than 1m for service space, equipment base is provided by user.
  4. Water pipes, cables and refrigeration pipe are connect to specific interface of our equipment.
  5. Unless special introduction, according to Snowkey standard, other technical parameter is subject to actual situation.
  6. The drawing layout is only for reference, equipment is subject to contract.



Technical parameter:

water in temp:	20°C
ambient temp:	33°C
wet bulb temp:	25°C
nominal production:	20t/24hr
power supply:	3P/380V/50Hz
refrigerant:	R22/R507A
installation power:	about 64kW
water consumption:	0.84m³/hr
Unit external dimension:	about 4255×1950×2954mm
Unit running weight:	about 5.5t

Note: When the refrigerant is R507A, do not use additional fan.

Itemref	Quantity	Title/Name, designation, material, dimension etc			Article No./Reference	
		Checked by	Approved by - date	Filename	Date	Scale
					2017.05.20	
					F200WT-6	Edition