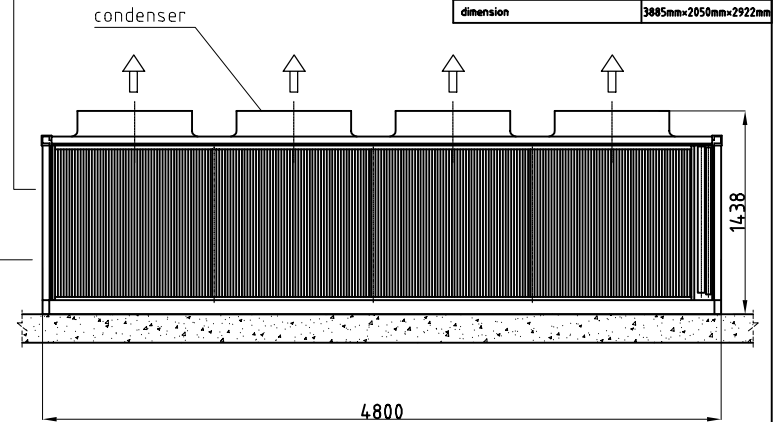
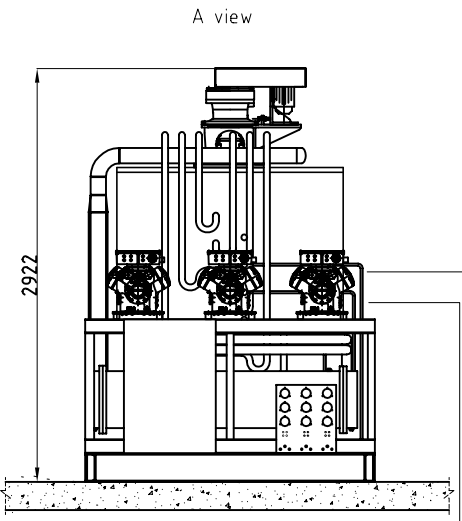
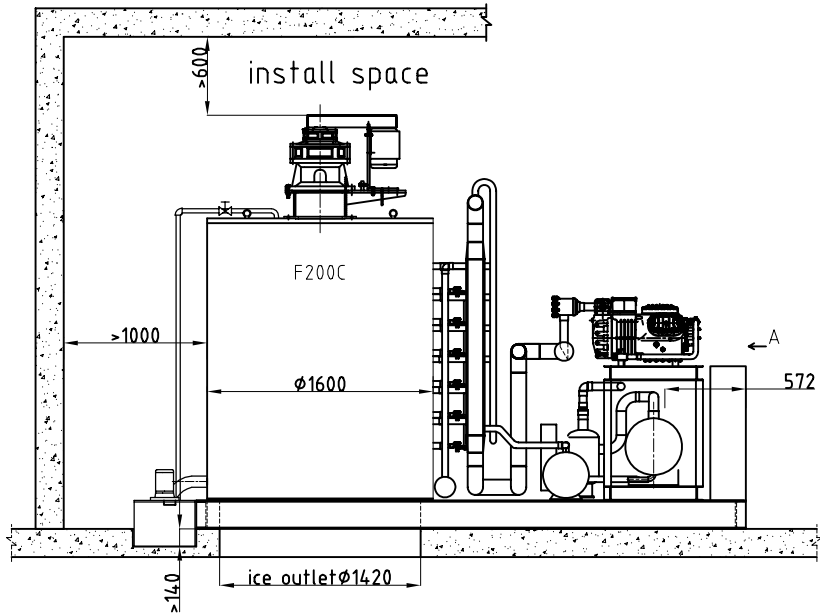
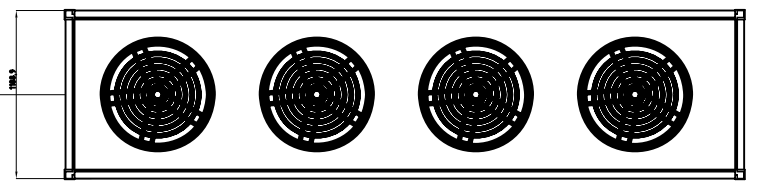
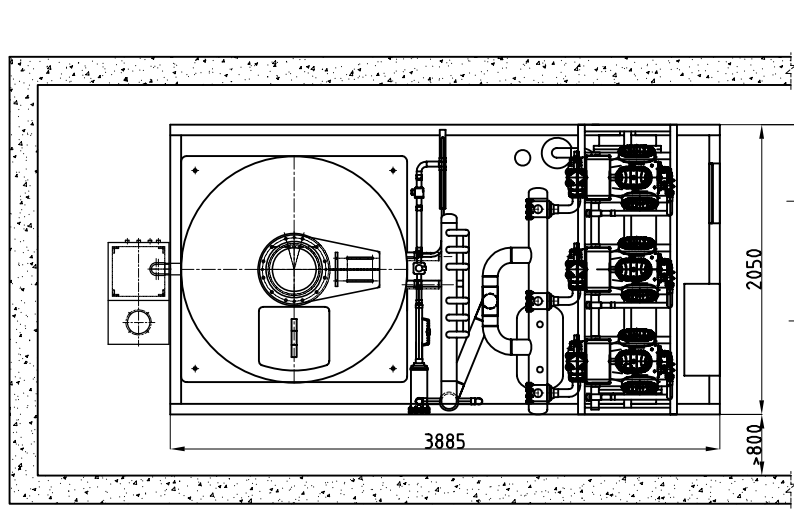


RevNo	Revision note	Date	Signature	Checked
-------	---------------	------	-----------	---------

Technical data:		
standard operation conditions	water inlet temperature	25°C
	ambient temperature	35°C
condensing temperature		50°C
evaporative temperature		-23°C
refrigerant capacity (Kcal/h)		103200Kcal/h
refrigerant capacity (kw)		120kw
refrigerant		R404A
ice production capacity		20T/24H
power		380V(50Hz) 3Ph
reducer power		1.1KW
water pump		0.55KW
unit weight		4800Kg
installation power		70KW
water supply pipe diameter		3/4"
water exchange pipe diameter		1-1/4"
dimension		3885mm×2050mm×2922mm



ice machine dimension: 3885×2050×2922



condenser dimension: 4800×1438×1188.9

Itemref	Quantity	Article No./Reference		
Designed by WILLIAM	Checked by	Approved by - date	Filename	Date
RECOM ICE SYSTEMS		20T Flake Ice Machine		
		F200AT-5	Edition	Sheet