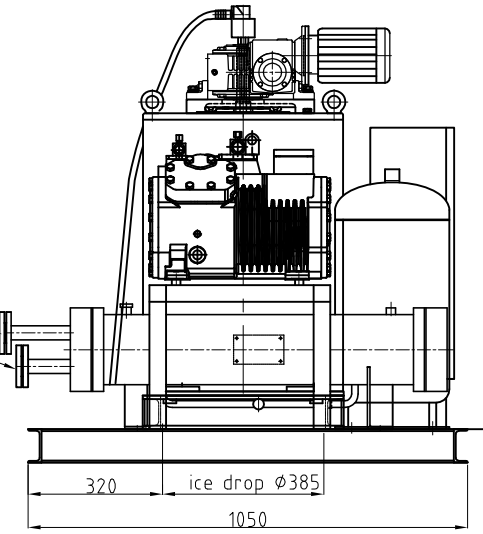


stainless steel housing

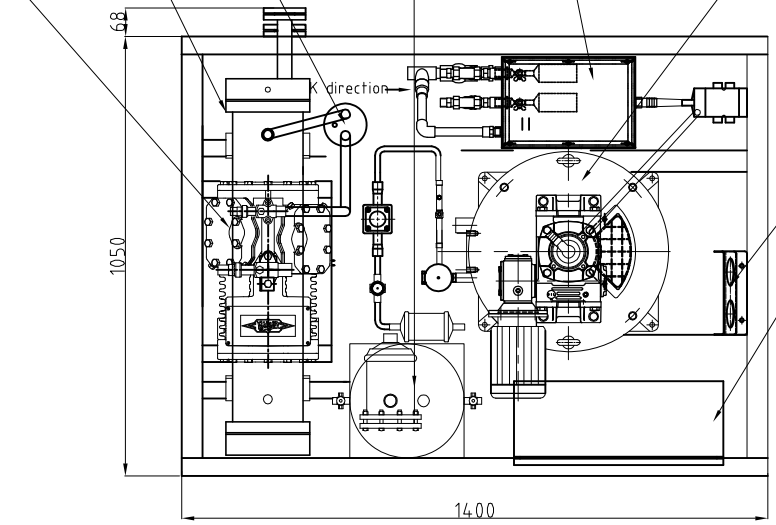
condenser water in&out DN32



NOTES:

1. the unit should be indoor, with more than 1m space around for service;
2. circulating pump for the condenser should be supplied by customer;
3. water inlet & outlet piping, electrical power source, refrigeration piping should connected to the appointed connectors;
4. the layout drawing is for reference only;
5. specific supply arrange is subject to contract.

compressor condenser oil separator 3-in-1 device water tank ice maker



dial plate

electrical box

water inlet (1/2") pressure: 1~5bar

K direction

water outlet (3/4")

Technical Data:

water inlet temp.	20°C
ambient temp.	33°C
humidity	28%
refri. cap.	5.84kW
production cap.	1t/24hr
power supply	415V/50Hz/3P
regrigerant	R404A
installation power	about 4.8kW
power consumption	about 4.32kW
water consumption	42L/hr
exterior dimension	1400×1100×1140mm
running weight	about 800kg

Itemref	Quantity	Title/Name, designation, material, dimension etc	Article No./Reference		
Designed by LIUBINGYAN	Checked by	Approved by - date	File name	Date 10.12.25	Scale
			1T seawater onboard flake ice machine		
			Edition	Sheet	