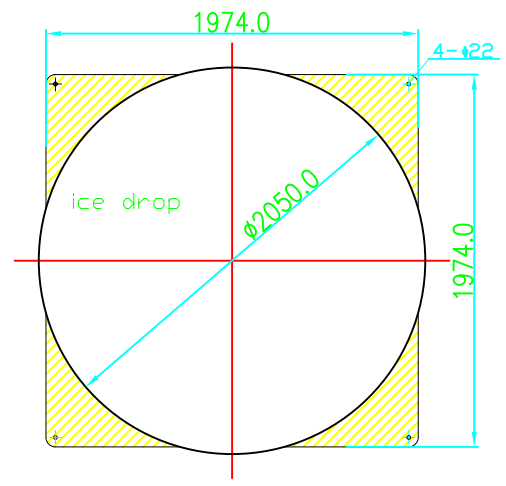
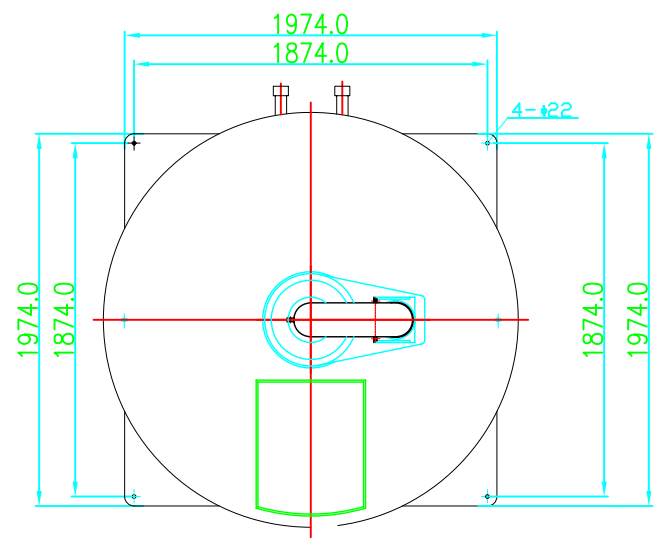
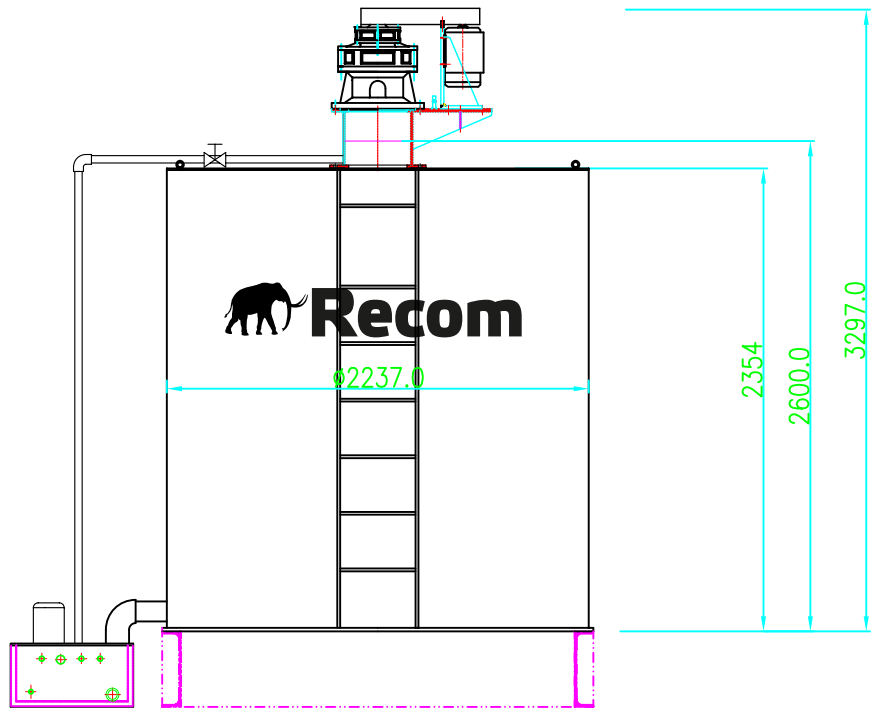


Technical data:

Standard condition:	water inlet temp.	16°C
	ambient temp.	25°C
evaporative temp.		-25°C
necessary refrigeration capacity		197400Kcal/h
refrigerant		R404a
ice production		42T/24H
power supply		380V(50Hz)
reducer power		1.5KW
water pump		0.75KW
weight/unit		5500Kg
liquid supply diameter		cu16x8
gas return pipe diameter		cu42x8



Itemref	Quantity	Title/Name, designation, material, dimension etc			Article No./Reference	
Designed by	Checked by	Approved by - date	Filename	Date	Scale	
				42T FLAKE ICE DRUM		
RECOM FD420				Edition	Sheet	