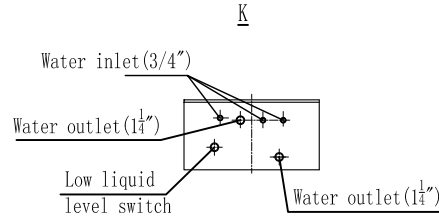
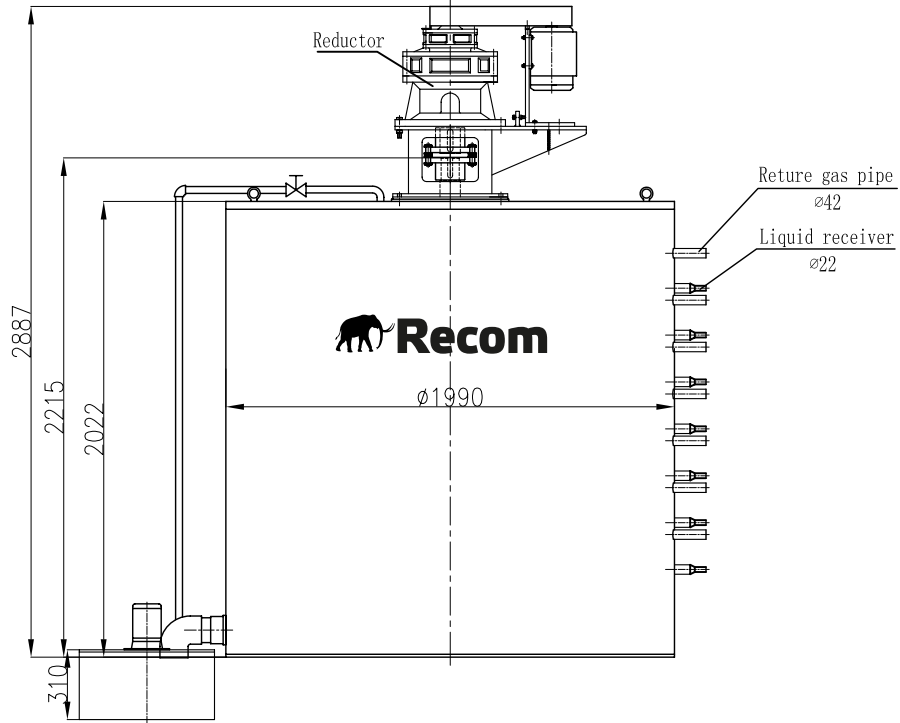


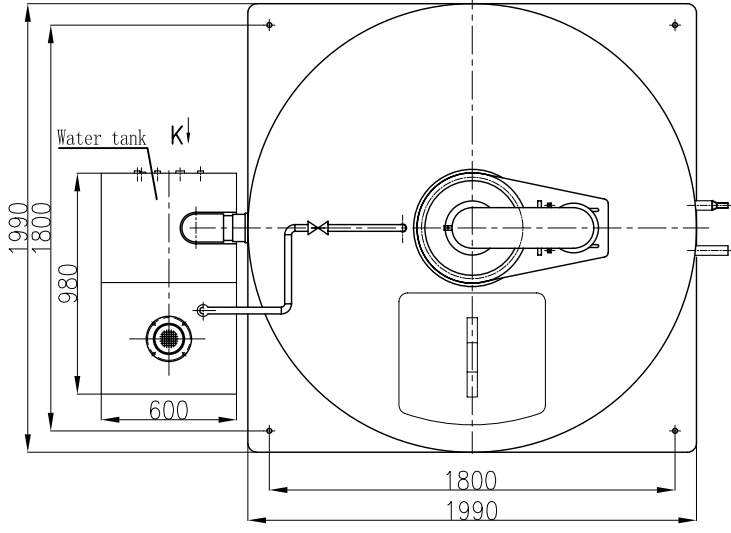
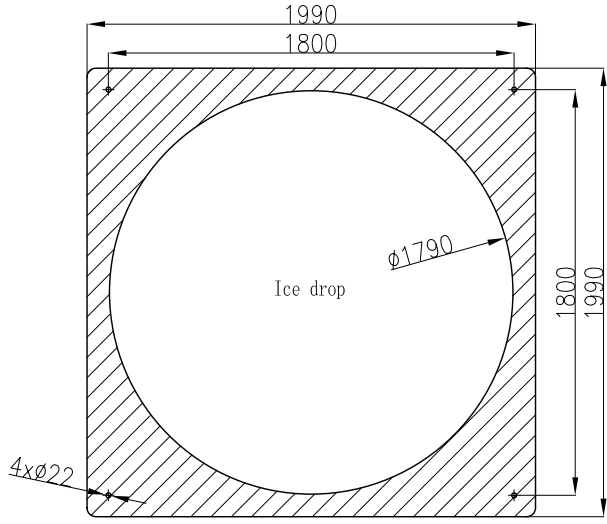
A
B
C
D
E
F

A
B
C
D
E
F



Technical data

Standard operation conditions	water inlet temperature	16°C
	ambient temperature	25°C
Evaporative temperature		-22°C
Required refrigeration capacity		117500Kcal/h
Refrigeration		R404A
Capacity		25T/24H
Voltage		380V(50Hz) 3P
Reductor power (KW)		1.1
Water pump (KW)		0.75
Weight/set (kg)		3588
Outer diameter of liquid receiver		Cu22x7
Outer diameter of return gas pipe		Cu42x7



Itemref	Quantity	Title/Name, designation, material, dimension etc			Article No./Reference	
Designed by	Checked by	Approved by - date	File name	Date	Scale	
				25T FLAKE ICE DRUM		
				RECOM FD250		Edition Sheet