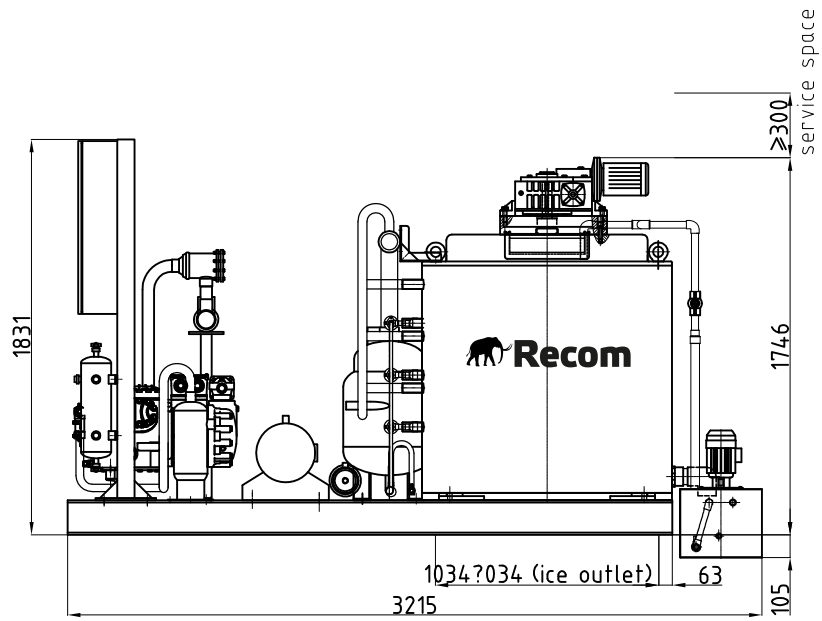
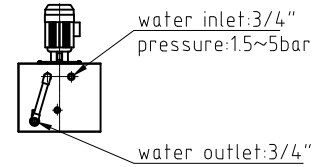


RevNo	Revision note	Date	Signature	Checked
-------	---------------	------	-----------	---------

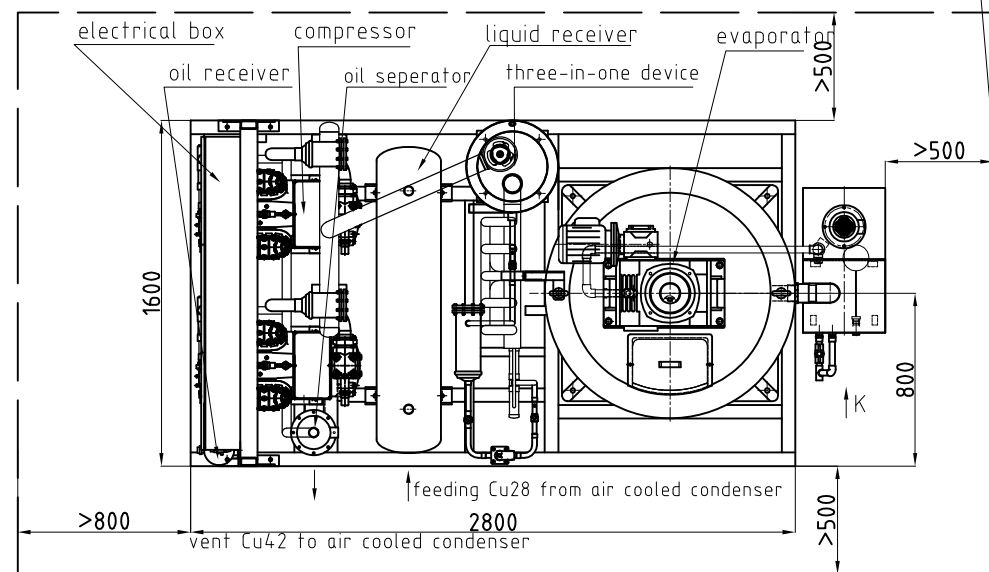


K direction



Remarks:

1. The unit should be indoor;
2. The distance between them should be less than 5m;
The air-cooled condenser should be 1m higher than unit.
3. The equipment should be connected with water pipe, power supply and refrigeration pipeline, according to our instructions. is subject to design.
4. This drawing is only for your reference;
5. The delivery range is subject to contract.



service space

Technical parameter

water inlet temp.	16°C
ambient temp.	32°C
refrigeration capacity	45.2kW
production capacity	8T/24Hr
power supply	400V/50Hz/3P
refrigerant	R404A
installation power	about 42kW
power consumption	about 38kW
water consumption	0.34T/Hr
exterior dimension	2800×1600×1831
running weight	about 3T

Itemref	Quantity	Title/Name, designation, material, dimension etc			Article No./Reference	
Designed by	Checked by	Approved by - date	File name	Date	Scale	
			8T FLAKE ICE MACHINE			
			RECOM F80AS-5	Edition	Sheet	