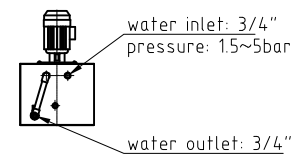


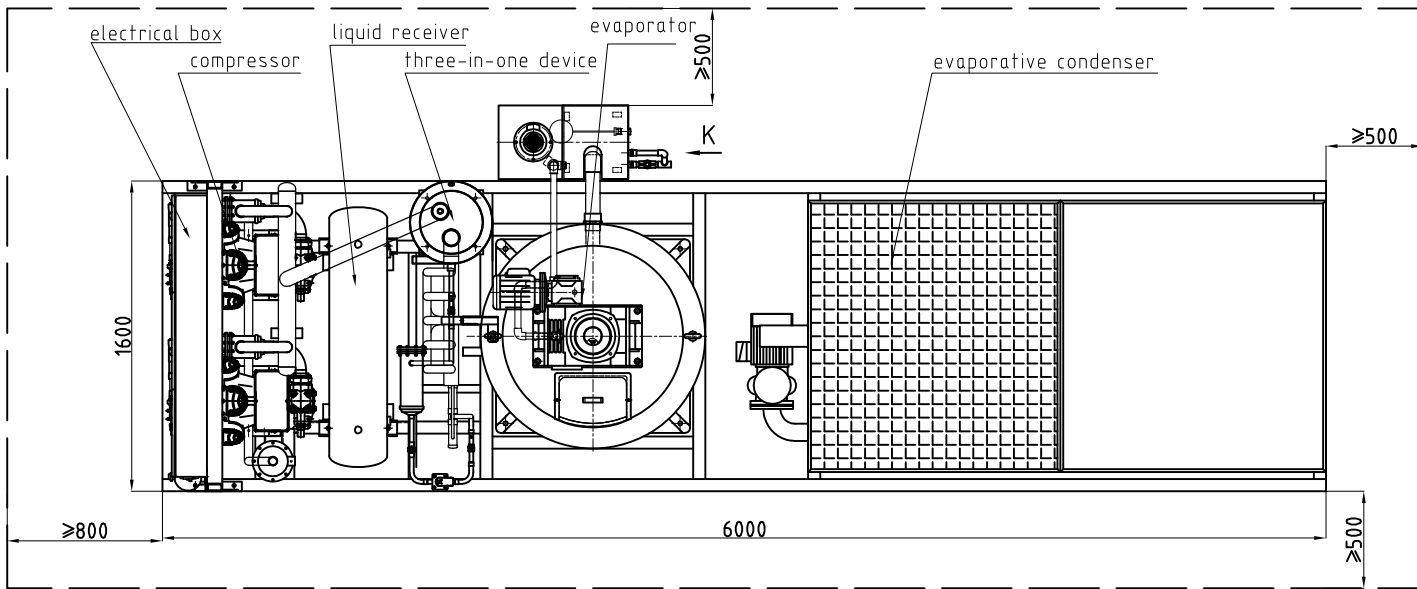
wind outlet for evaporative condenser  
make sure the ventilation space could meet the heat exchange with 150KW

K direction



Remarks:

1. The unit should be indoor, and make sure the ventilation space for the condenser;
2. The equipment should be connected with water pipe, power supply, refrigeration pipeline, according to our instructions;
3. This drawing is only for your reference, detailed information is subject to design;
4. The delivery range is subject to contract;
5. When the water inlet temperature is 28°C, the production capacity is a bit lower than 10T/D.



Technical parameter

water inlet temp.	25°C
ambient temp.	4.8°C
wet bulb temp.	25°C
refrigeration capacity	62.6kW
production capacity	10t/24hr
power supply	4.00V/50Hz/3P
refrigerant	R404A
installation power	about 30kW
power consumption	about 26.5kW
water consumption	0.42t/hr
exterior dimension	6000x1600x2520
running weight	about 5t

Itemref	Quantity	Title/Name, designation, material, dimension etc	Article No./Reference		
Designed by	Checked by	Approved by - date	File name	Date	Scale
			10T FLAKE ICE MACHINE		
RECOM F100EF			Edition	Sheet	