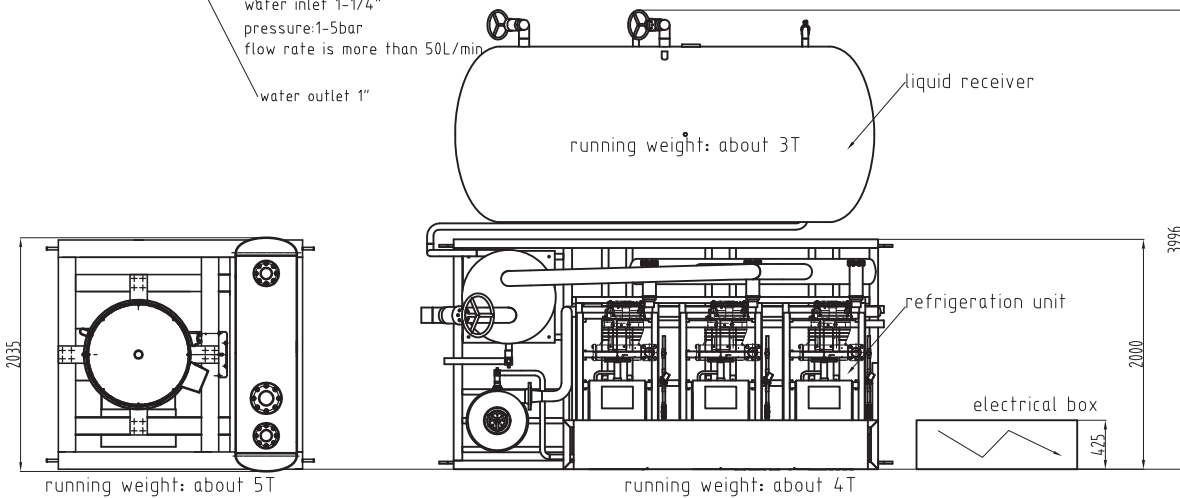


water inlet 1-1/4"  
pressure:1-5bar  
flow rate is more than 50L/min

water outlet 1"



Remarks:

1. The condenser should be outdoor. The distance between condenser and the unit should be less than 5m;
2. The evaporative condenser bottom should be 1m higher than the unit top;
3. This drawing is only for your reference,detailed information is subject to material object;
4. All the equipment should be indoor except evaporative condenser;
5. The equipment should be connected with water pipe, power supply and so on,according to our instructions.

Itemref	Quantity	Title/Name, designation, material, dimension etc	Article No./Reference		
Designed by	Checked by	Approved by - date	Filename	Date	Scale
Recom ICE SYSTEMS			50T TUBE ICE MACHINE		
			RECOM T500ET	Edition	Sheet